



1971 CHEVROLET C10 TRUCK

1/24 SCALE ELECTRIC 4WD READY-TO-RUN



**INSTRUCTION MANUAL
BEDIENUNGSANLEITUNG
MANUEL D'UTILISATION
MANUALE DI ISTRUZIONI**

Scan and select the Manuals and Support quick links from the product page for the most up-to-date manual information.
Scannen Sie und wählen Sie auf der Produktseite die Quicklinks Handbücher und Unterstützung, um die aktuellsten Informationen zu Handbücher.
Scannez l et sélectionnez les liens rapides Manuals and Support sur la page du produit pour obtenir les informations les plus récentes sur le manuel.
Scannerizzare selezionare i Link veloci Manuali e Supporto dalla pagina del prodotto per le informazioni manuali più aggiornate.



AXI-3408

Created 12/25

1290372

HORIZON
H O B B Y

NOTICE

All instructions, warranties and other collateral documents are subject to change at the sole discretion of Horizon Hobby, LLC. For up-to-date product literature, visit horizonhobby.com or towerhobbies.com and click on the support or resources tab for this product.


MEANING OF SPECIAL LANGUAGE

The following terms are used throughout the product literature to indicate various levels of potential harm when operating this product:

WARNING: Procedures, which if not properly followed, create the probability of property damage, collateral damage, and serious injury OR create a high probability of superficial injury.

CAUTION: Procedures, which if not properly followed, create the probability of physical property damage AND a possibility of serious injury.

NOTICE: Procedures, which if not properly followed, create a possibility of physical property damage AND a little or no possibility of injury.

 **WARNING:** Read the ENTIRE instruction manual to become familiar with the features of the product before operating. Failure to operate the product correctly can result in damage to the product, personal property and cause serious injury.

This is a sophisticated hobby product. It must be operated with caution and common sense and requires some basic mechanical ability. Failure to operate this Product in a safe and responsible manner could result in injury or damage to the product or other property. This product is not intended for use by children without direct adult supervision. Do not use with incompatible components or alter this product in any way outside of the instructions provided by Horizon Hobby, LLC. This manual contains instructions for safety, operation and maintenance. It is essential to read and follow all the instructions and warnings in the manual, prior to assembly, setup or use, in order to operate correctly and avoid damage or serious injury.

Age Recommendation: Not for children under 14 years. This is not a toy.

SAFETY PRECAUTIONS AND WARNINGS

As the user of this product, you are solely responsible for operating in a manner that does not endanger yourself and others or result in damage to the product or property of others.

This model is controlled by a radio signal subject to interference from many sources outside your control. This interference can cause momentary loss of control, so it is advisable to always keep a safe distance in all directions around your model as this margin will help avoid collisions or injury.

- Never operate your model with low transmitter batteries.
- Always operate your model in open spaces away from full-size vehicles, traffic and people.
- Never operate the model in the street or in populated areas for any reason.
- Carefully follow the directions and warnings for this and any optional support equipment (chargers, rechargeable battery packs, etc.) you use.
- Keep all chemicals, small parts and anything electrical out of the reach of children.
- Never lick or place any portion of the model in your mouth as it could cause serious injury or even death.
- Exercise caution when using tools and sharp instruments.
- Take care during maintenance as some parts may have sharp edges.
- Immediately after using your model, do NOT touch equipment such as the motor, electronic speed control and battery, because they generate high temperatures. You may burn yourself seriously touching them.
- Do not put fingers or any objects inside rotating and moving parts, as this may cause damage or serious injury.
- Always turn on your transmitter before you turn on the receiver in the car. Always turn off the receiver before turning your transmitter off.
- Keep the wheels of the model off the ground when checking the operation of the radio equipment.

TABLE OF CONTENTS


Safety Precautions and Warnings.....	2	Steering Trim	9
Table of Contents.....	3	After Driving	9
Box Contents	3	Optional Front Grill	9
USB Charging Warnings.....	3	Binding the Transmitter and Receiver.....	10
Charge the Vehicle Battery	4	Receiver and ESC wiring Diagram.....	10
Transmitter Layout.....	5	Parts List.....	11
Install the Transmitter Batteries.....	6	Troubleshooting	12
Open the Vehicle Body	6	Limited Warranty	12
Install the Vehicle Battery.....	7	Warranty and Service Contact Information.....	14
Power on the Transmitter	7	FCC Information.....	14
Power on the Vehicle.....	8	IC Information.....	15
Close the Body	8	Compliance Information for the European Union ...	15
Test the Controls.....	8	Exploded Views.....	55

BOX CONTENTS

INCLUDED COMPONENTS

Vehicle	SCX24 1971 Chevrolet C10 Truck 1/24th Scale RTR (AXI-3408)
Transmitter	SLT2 2-CH 2.4Ghz SLT (SPMRSLT200) not sold separately
Charger	Spektrum USB-C 2S JST-XH (SPMXC0030)
Vehicle Battery	Spektrum 7.4V 350mAh 2S LiPo: PH (SPMX3502S30)
Motor	SCX24 030-Motor with Pinion (DYN51217)
ESC/Receiver	10 Amp Brushed 2-in-1 ESC / SLT Receiver Combo (SPMXSE2425RX)
Servo	AS-1 Micro Servo (AXI31619)
Transmitter Batteries	(4) AA Alkaline

USB CHARGING WARNINGS

 **WARNING:** Failure to exercise caution while using this product and comply with the following warnings could result in product malfunction, electrical issues, excessive heat, FIRE, and ultimately injury and property damage.

- **NEVER LEAVE CHARGING BATTERIES UNATTENDED.**
- **NEVER CHARGE BATTERIES OVERNIGHT.**
- Never attempt to charge dead, damaged or wet battery packs.
- Never attempt to charge a battery pack containing different types of batteries.
- Never allow children under 14 years of age to charge battery packs.
- Never charge batteries in extremely hot or cold places or place in direct sunlight.
- Never charge a battery if the cable has been pinched or shorted.
- Never connect the charger if the power cable has been pinched or shorted.
- Never attempt to dismantle the charger or use a damaged charger.
- Always use only rechargeable batteries designed for use with this type of charger.
- Always inspect the battery before charging.
- Always keep the battery away from any material that could be affected by heat.
- Always monitor the charging area and have a fire extinguisher available at all times.
- Always end the charging process if the battery becomes hot to the touch or starts to change form (swell) during the charge process.
- Always connect the positive leads (+) and negative leads (-) correctly.

EN

- Always disconnect the battery after charging, and let the charger cool between charges.
- Always charge in a well-ventilated area.
- Always terminate all processes and contact Horizon Hobby if the product malfunctions.
- Charge only rechargeable batteries. Charging non-rechargeable batteries may cause the batteries to burst, resulting in injury to persons and/or damage to property.
- The USB outlet shall be installed near the equipment and shall be easily accessible.

⚠ CAUTION: Always ensure the battery you are charging meets the specifications of this charger. Not doing so can result in excessive heat and other related product malfunctions, which can lead to user injury or property damage. Please contact Horizon Hobby or an authorized retailer with compatibility questions.

⚠ CAUTION: If at any time during the charge process the battery pack becomes hot or begins to puff, disconnect the battery immediately and discontinue the charge process as batteries can cause fire, collateral damage and injuries.

CHARGE THE VEHICLE BATTERY

Use only the included USB charger to charge the battery.

1. Connect the charger to a suitable USB power port. The charger will work with most 5V mobile power sources or smartphone chargers with at least 1 amp of power output.

NOTICE: Charging the battery with a USB power port with less than 1 amp of power output can produce heat.

2. Connect the charge lead to the battery, noting correct polarity. Charging a fully discharged battery takes approximately 45–60 minutes. Charge times may vary depending on the power source.
3. Remove the battery from the charger when the charging cycle is complete.
4. Remove the charger from the power supply.

⚠ CAUTION: Once charging is complete, immediately remove the battery. Never leave a battery connected to the charger.

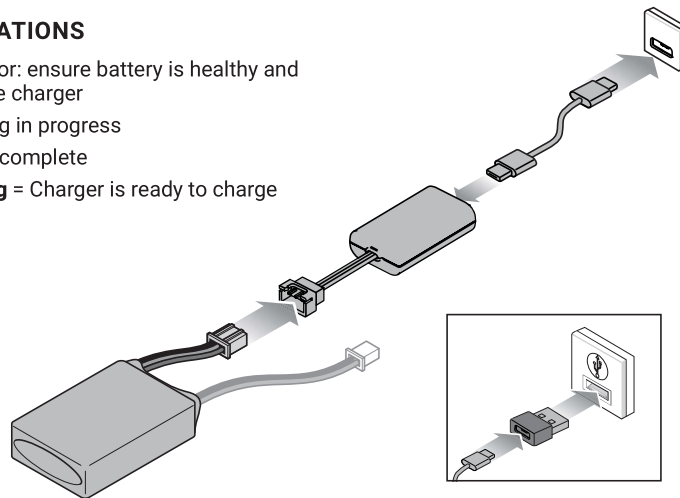
CHARGER LED INDICATIONS

RED, solid = Charging error: ensure battery is healthy and properly connected to the charger

ORANGE, solid = Charging in progress

GREEN, solid = Charging complete

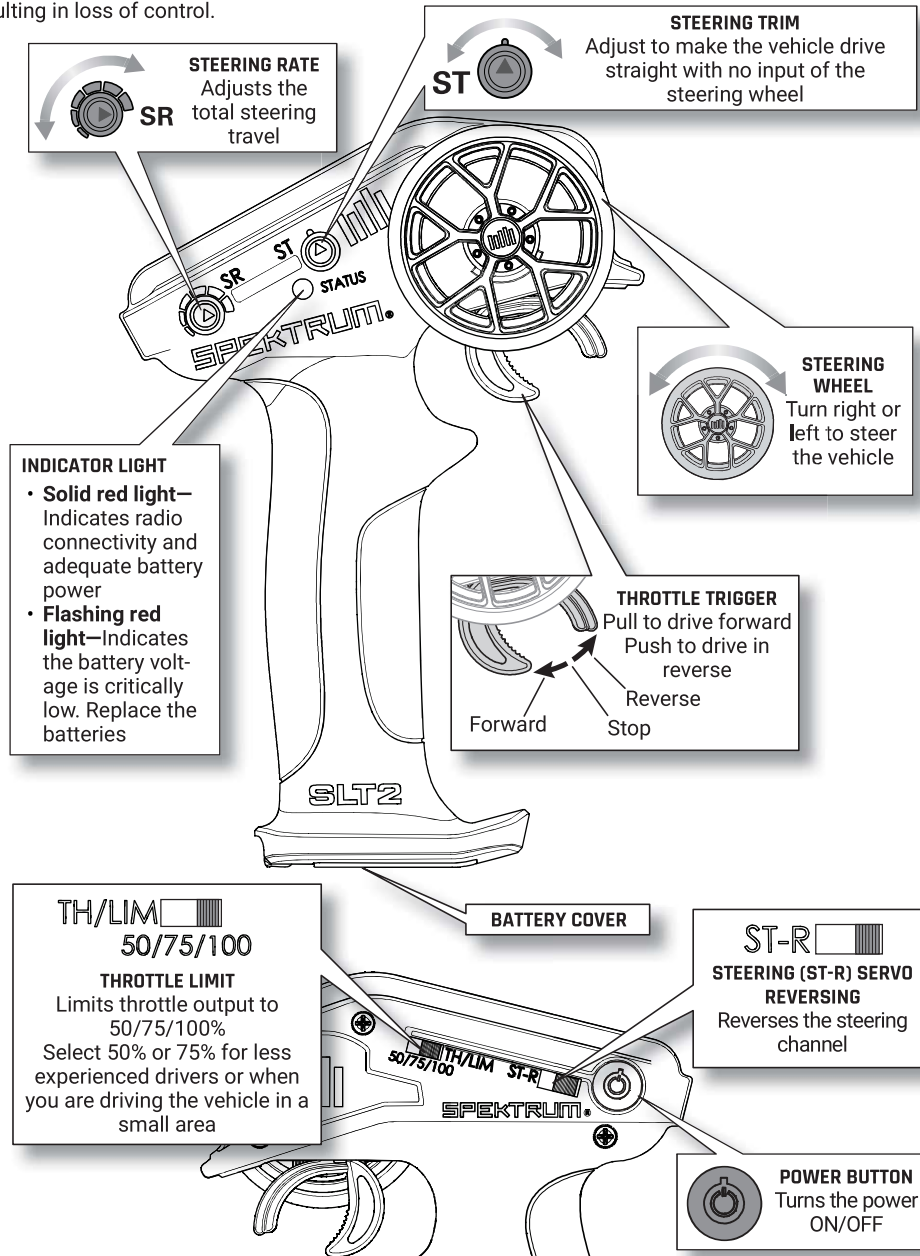
ORANGE/GREEN, flashing = Charger is ready to charge



TRANSMITTER LAYOUT

Use the diagram below to familiarize yourself with the different parts of your transmitter.

The transmitter antenna is mounted internally and is located in the front portion of the transmitter. When you are driving your model, hold the transmitter so it is oriented as close to vertical as possible. Do not try to follow your model with the transmitter. This provides the best RF signal between the transmitter and the receiver. Do not cover the front of the transmitter during use as doing so can block the RF signal, resulting in loss of control.



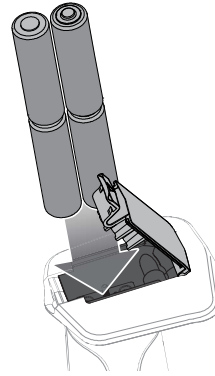
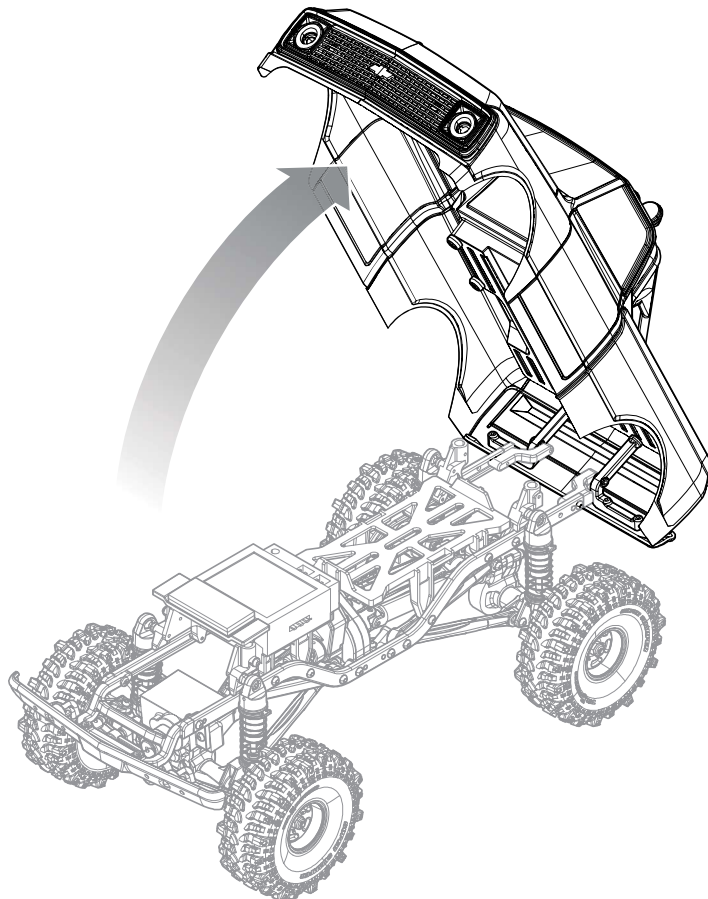
INSTALL THE TRANSMITTER BATTERIES

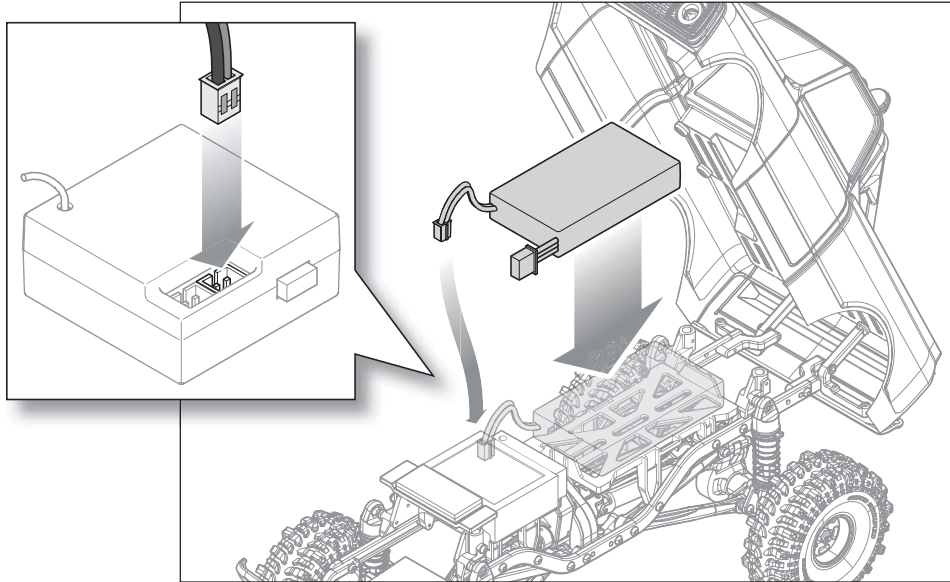
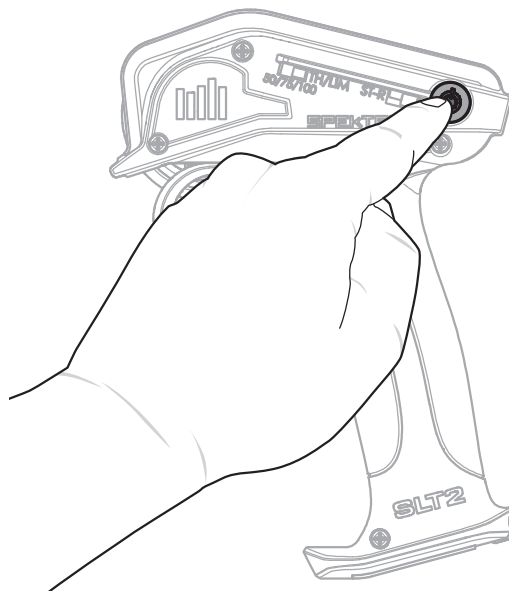
1. Press the battery compartment latch and rotate the batter cover to open.
2. Install 4 AA alkaline batteries, verifying correct polarity.
3. Close the battery cover until it latches.

⚠ CAUTION: NEVER remove the transmitter batteries while the vehicle is powered ON. Loss of vehicle control, damage, or injury may occur.

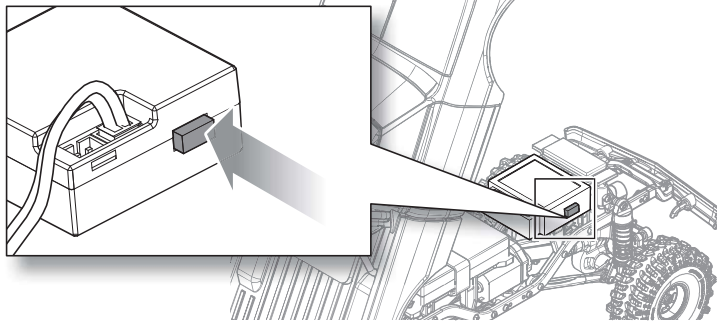
⚠ CAUTION: If using rechargeable batteries, charge only rechargeable batteries. Charging non-rechargeable batteries may cause the batteries to burst, resulting in injury or property damage.

⚠ CAUTION: Risk of explosion if battery is replaced by an incorrect type. Dispose of used batteries according to state and local laws.

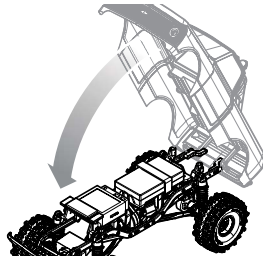
**OPEN THE VEHICLE BODY**

INSTALL THE VEHICLE BATTERY**POWER ON THE TRANSMITTER**

POWER ON THE VEHICLE



CLOSE THE BODY

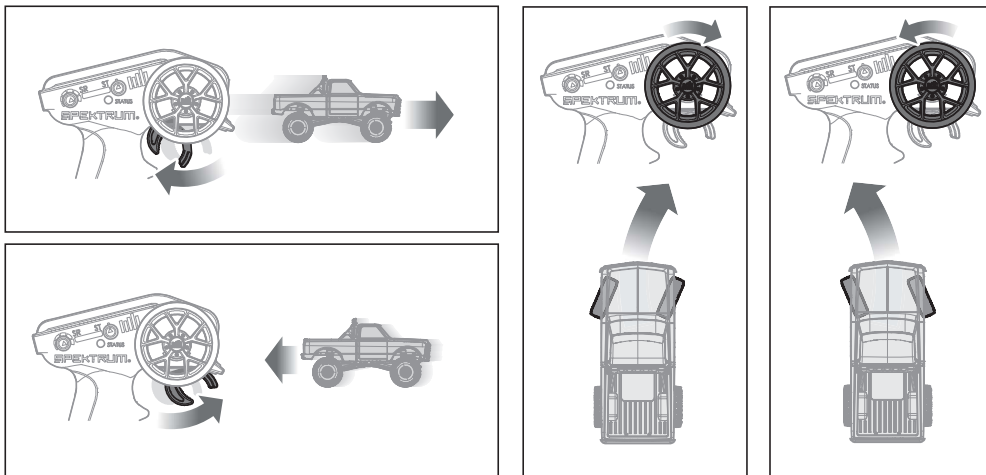


TEST THE CONTROLS

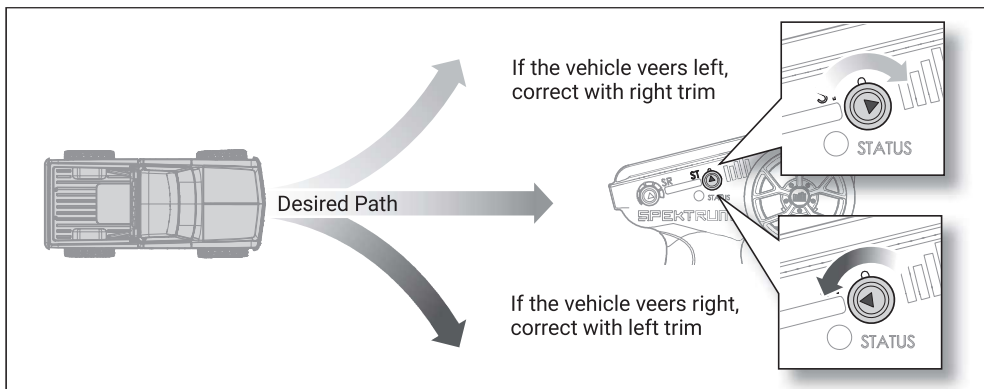
With the vehicle wheels off the ground, test the throttle and steering controls. Ensure the wheels spin in the proper direction and the front wheels turn in the proper direction with steering input.

After checking for proper direction of controls, start driving slowly. If the vehicle does not go straight without steering input, adjust the steering trim dial on the transmitter until the vehicle holds a straight line with no steering input.

Have FUN driving your vehicle!



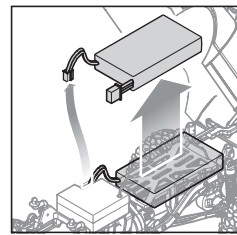
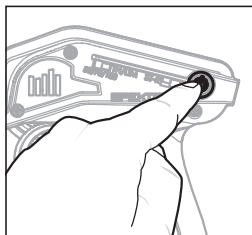
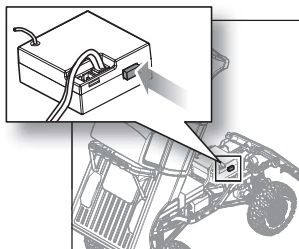
STEERING TRIM



AFTER DRIVING

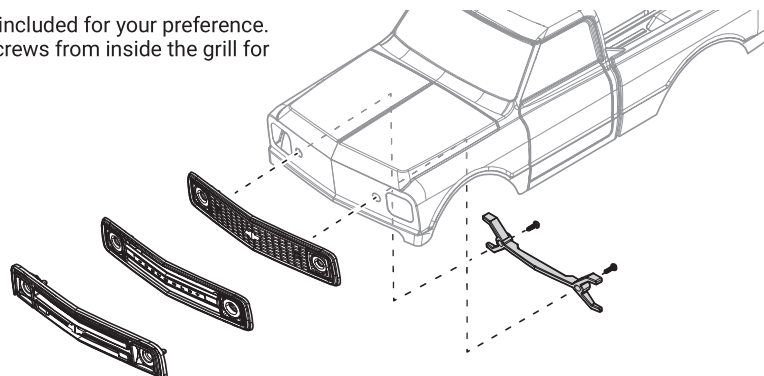
When you are finished driving your vehicle:

1. Power the vehicle off with the power switch.
2. Press and hold for 1 second, then release to power off the transmitter.
3. Remove the vehicle battery and charge if necessary. Gently unplug the battery plug by holding the wire close to the plug and carefully pulling straight up.



OPTIONAL FRONT GRILL

Different grills are included for your preference. Remove the two screws from inside the grill for changes.



BINDING THE TRANSMITTER AND RECEIVER

Binding is the process of programming the receiver to recognize a specific transmitter signal, thus preventing interference from other transmitters. The transmitter and receiver included with your vehicle are bound at the factory. If you need to rebind, follow the instructions below.

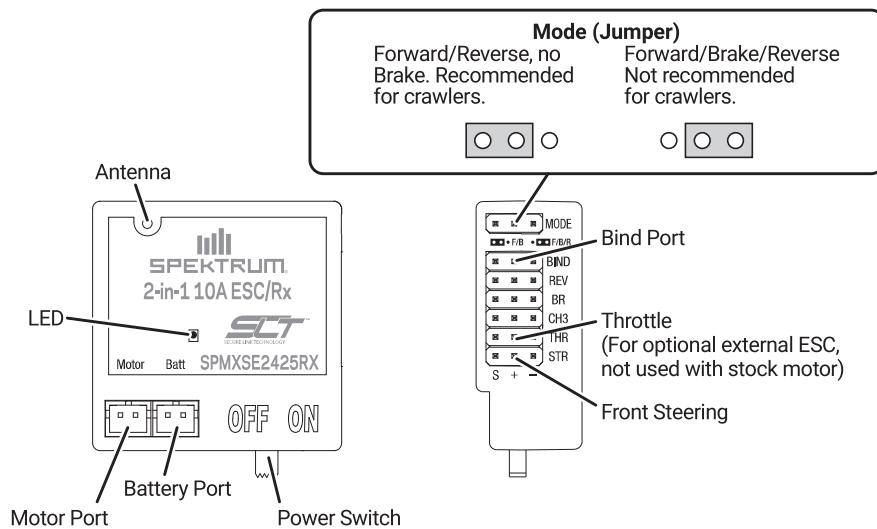
NOTICE: Do not attempt to bind the transmitter and receiver if any other compatible transmitters are in bind mode within approximately 400 feet (120 meters). Doing so may result in unexpected binding to the wrong transmitter and loss of control of your vehicle.

Prior to starting the binding procedure, ensure the servos and motor are connected to the proper ports on the receiver and the transmitter has fresh batteries installed.

1. Insert the bind plug into the receiver.
2. Power on the receiver. The receiver LED will flash rapidly.
3. Power on the transmitter. The transmitter LED will flash.
4. When the LED glows solid, binding is complete.

The receiver LED will glow solid when both the transmitter and receiver are powered on. If the receiver LED flashes rapidly or is not illuminated, the transmitter and receiver are not bound. Power off both the transmitter and receiver and repeat the binding procedure.

RECEIVER AND ESC WIRING DIAGRAM



PARTS LIST

AXI31611	SCX24 Driveshaft Set (Short, Medium, Long)
AXI31619	AS-1 Micro Servo
AXI201002	Chassis Parts, Long Wheel Base 133.7mm: SCX24
AXI31609	Steering Axle, Assembled: SCX24, AX24
AXI31614	SCX24 Chassis Set
AXI31608	Transmission, Assembled: SCX24, AX24
AXI204000	Suspension Links, Long Wheel Base 133.7mm: SCX24
AXI31610	Straight Axle, Assembled: SCX24, AX24
AXI200002	Bumper Set w/LED: SCX24 1967 C10
DYNS1217	88T Motor, 11T/10T Pinion: SCX24
SPMXSE2425RX	2n1 10A Brushed ESC / SLT RX 1/24 Scale
SPMXC0030	2S PH2.54 JST-XH 3-pin USB-C 500mAh Charger
SPMX3502S30	350mAh 2S 7.4V LiPo w/ PH2.0 2pin Power Connector
AXI203002	Oil Shock Set 6mm, (.213 LBS/IN Red): SCX24 (4)
AXI203003	Spring Set 6mm (.146 Ppl.,.213 Rd.,.272 Gn):SCX24
AXI-3948	Chevy C10 Body, '67-'72, Clear Precut: SCX24
AXI-3947	0.8"/1.0" Interco Bogger Tires (4): SCX24
AXI-3949	0.8"/1.0" Slot Mag Wheel Set (4): SCX24

Optional Parts

AXI302002	Hex Hub, Brass 1.0g (2): SCX24, AX24
AXI302006	Rear Upper Link Mount, Brass 1.5g: SCX24
AXI302003	Knuckles, Brass 12.5g (L/R): SCX24, AX24
AXI302005	Servo Mount, Brass 9.0g: SCX24, AX24
AXI302001	Differential Cover, Brass 6.5g: SCX24, AX24
DYNH2027	Stainless Steel Screw Set: Axial SCX24
DYNT1229	7 in 1 1/4 Drive Tool Set w/Handle
DYNT0503	STARTUP TOOL SET: Axial 1/24th Scale
SPMXCA309	Adapter: IC3 Battery / JST PH2.0 Device
SPMXC2050	S155 55W AC G2 Smart Charger
AXI00009	SCX24 Flat Bed Vehicle Trailer with LED Taillights:1/24th
MYKAX14	Axial SCX24 C10 Light Kit