

1/10th 4WD Electric Power R/C TRUCK

Specifications:

LENGTH	WIDTH	HEIGHT	WHEEL BASE	GROUND CLEARANCE	DIAMETER OF WHEEL	WIDTH OF WHEEL	GEAR RATIO	SERVO	WEIGHT
460	245	240	280	62	105	46	1:10.9	6kg	2.45kg

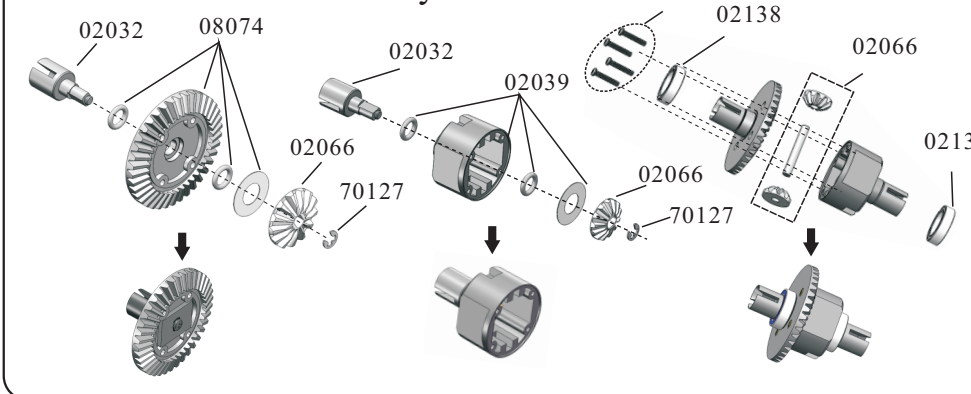
Spare Part

70201-Rear Bumper	70202-Rear Body Post	70203-Pedal for the Body+Flat Head Hex Self-Tapping Screw 3*10	70204-Spare Tire Rack 4*16	70205-Wheel Rim
70206-Tire+Inside Sponge	70207-Wheel Complete	70208-Wheel Axle 2P	70212-Rod End Pin	70213-SERVO LINK
70101-Chassis	70102-Battery/Receiver Case	70103-Motor Cover	70104-Front Bumper	70105-LED Light Clip (Optional)
70107-Steering Sway Arm Assembly	70114-Solid Plate	70115-Rear Chassis Plate	70139-Front Chassis Plate	70140-Front Upper Arm Holder
70118-ESC Mount	70122-Motor Mount	70123-Servo Saver Assembly	70124-Steering Post	70125-Drive Gear
166015-Universal Drive Joint	08012-Shock Tower	08007-Front Body Post	06051-Front Upper Suspension Arm (L/R)	06052-Front Lower Suspension Arm 2P
06053-Rear Lower Suspension Arm 2P	02165-Steering Hub (Left/Right)	06044-Rear Wheel Hub Carrier (Left/Right)	06045-Front Gear Box Housing	03013-Radio Tray Holder

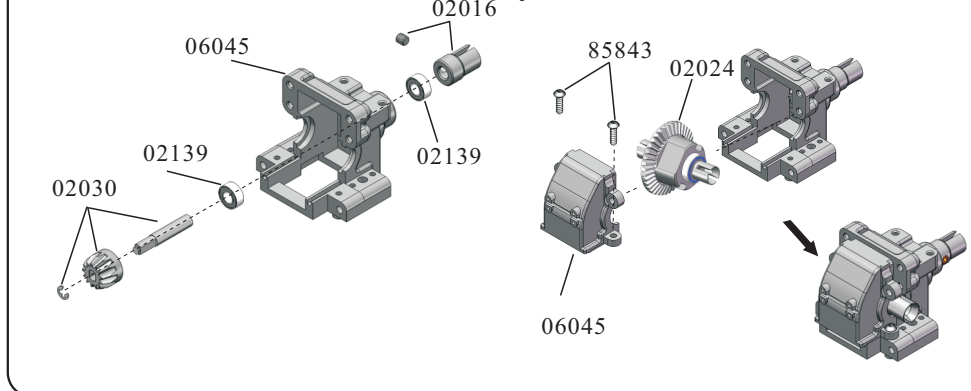
Spare Part

02039-Differential Box (With 2 Rings & Steel Washers)	02024-Diff Gear Complete	02030-Drive Gear	08074-Crown Gear (38T) (Copper infiltration)	02066-Diff. Pinions+ Bevel Gears+Pin
11184-Diff. Main Gear Metal (64T)	11200-Motor Gear Metal (19T)	02032-Wheel Axle	02016-Universal Joint CupB+Grub Screw	06002-Shock Absorber Buggy 2P
02100-Wheel hex	02138-Ball Bearing Ø15*Ø10*4	02139-Ball Bearing Ø10*Ø5*4	14559-Ball Bearing Ø8*Ø5*2.5	02079-Oil Bearing Ø15*Ø10*4
02080-Oil Bearing Ø5*Ø10*4	50078-Servo Washers Ø3*8*0.8mm	02173-Suspension Arm	04003-Centre Dogbone	08069-Front Lower Suspension Arm Round Pin B 3*43mm
06061-Dogbone 2P	02036-Front Lower Shaft Pin A 2P	08069-Front Lower Suspension Arm Round Pin B 3*43mm	02164-Ball Head Cap 8P	02152-M5 Ball Head Screw
02153-Ball Head Nut 8P	60240-Ball Head Screws 5.8mm	06007-Shock Pivot Ball	06007-Shock Ball Head	60242-Steering Shaft Bush
08021-Shock Ball Head 1	70211-Nylon Nut M2.5	02102-Nylon Nut M3	70129-Flange M4 Lock Nut	70127-E-Clip (O.2.5)

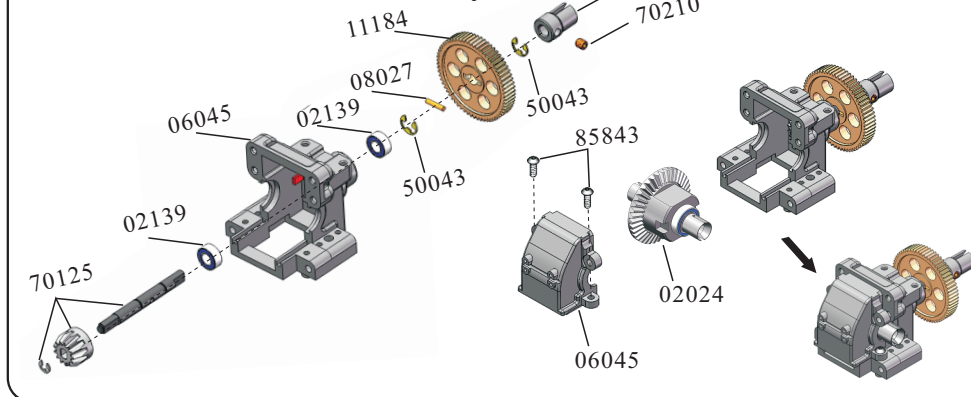
1. Differential Assembly



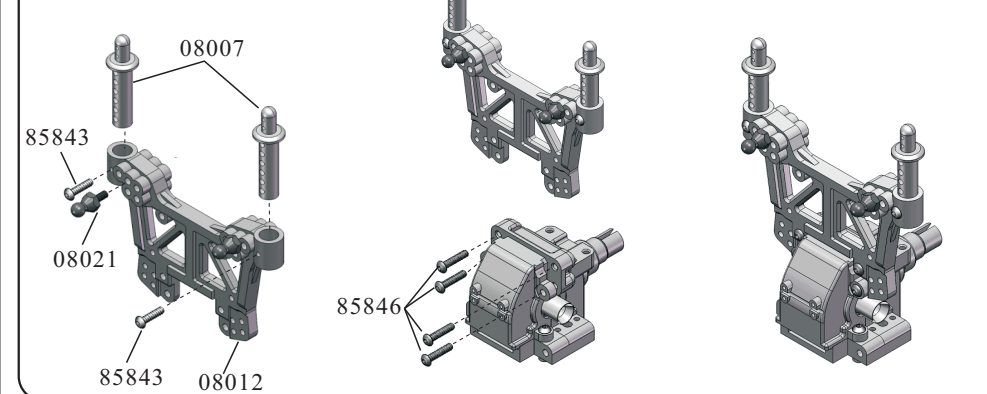
2. Front Gear Box Assembly



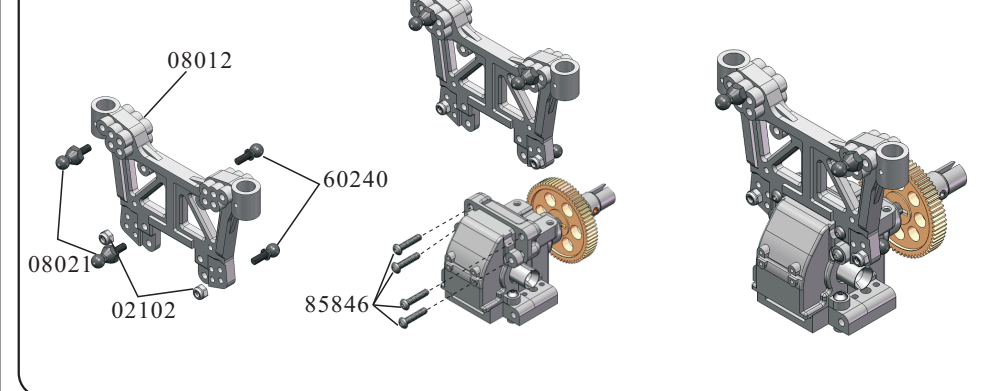
3. Rear Gear Box Assembly



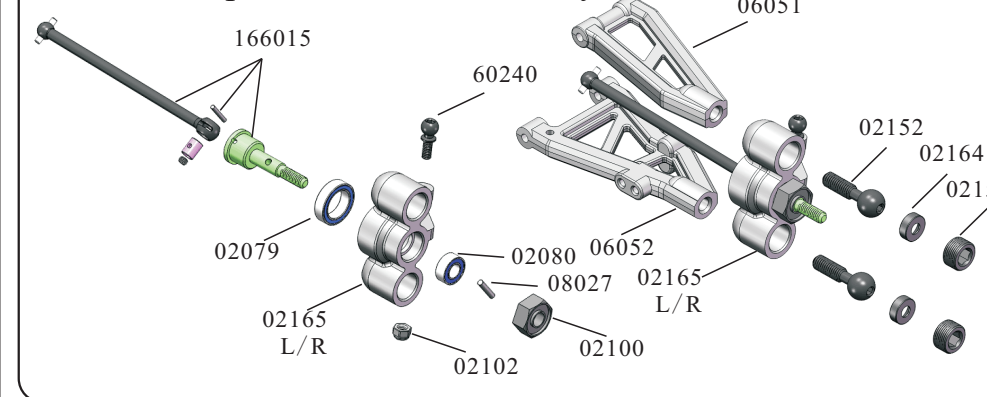
4. Shock Tower



5. Rear Shock Tower



6. Rear Suspension Arm Assembly



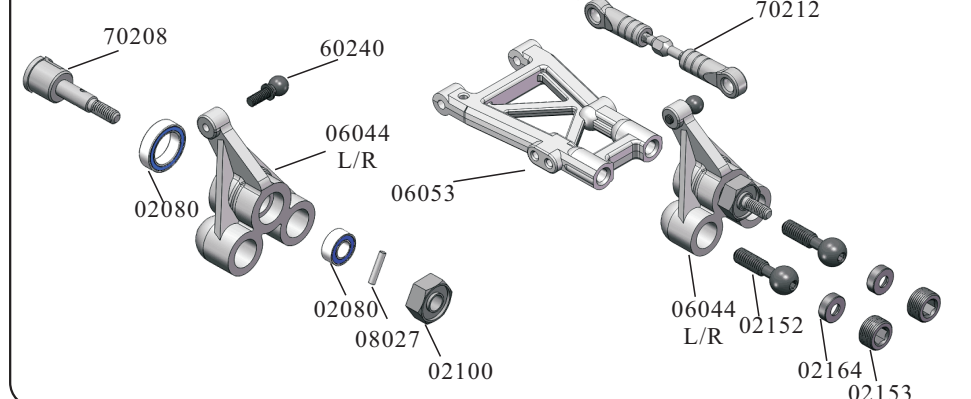
Spare Part

50043-E-Clips Ø 4mm	02053-Body Clip	08027-Pin 2*10mm	70209-Grub Hex. Screw M3*2	70210-Grub Hex. Screw M4*3
02099-Grub Hex. Screw M4*4	85845-Cap Head Hex Self-Tapping Screw 3*8 4P	85843-Cap Head Hex Self-Tapping Screw 3*12 4P	85846-Cap Head Hex Self-Tapping Screw 3*14 4P	50100-Cap Head Hex Machine Screw 3*10 8P
50101-Cap Head Hex Machine Screw 3*12 12P	02093-Column Head Hex. Screw 3*10 10P	59043-Column Head Hex. Machine Screw 3*12 10P	70132-Flat Head Hex Self-Tapping Screw 3*8 10P	85837-Flat Head Hex Self-Tapping Screw 3*10 12P
85825-Flat Head Hex Machine Screw 3*10 4P	02086-Round Head Self-Tapping Screw 2*10 10P	70130-Countersunk Screw 3*6	85844-Ring Head Self Tapping Screws 3*8 4P	70128-Battery Strap 250mm
03200-Battery Ni-MH (7.2V 2000mAh)	03064-ESC (40A)	28446-8020-Motor (RcS50)	03205-Lipo Battery 7.4V 3500mAh (Optional)	37022-Brushless ESC (Optional 50A)
03302-Brushless Motor 3300KV (Optional)	SP6002-Servo 6kg	60298-Servo Arm	70214-Body (Clear)	

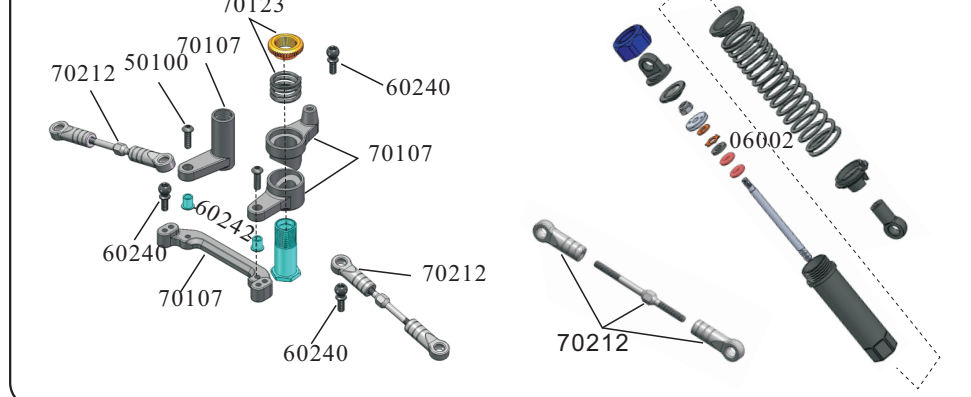
Upgradable Optionals

122227-Aluminum Suspension Arm Reinforcement Bracket	122275-Aluminum Gear Box	166004-Aluminum Shock Absorber 2P	166611B-Aluminum Steering Hubs (L/R)	166612B-Aluminum Rear Hub Carrier (L/R)
166618B-Aluminum Front Upper Arm 2P +Ball Head Screw	166621B-AL. Rear Lower Arm 2P+Ball Head Screw +Cap Head Machine Screw+Grub Hex. Screw	166619B-AL. Front Lower Arm 2P+Ball Head Screw +Cap Head Machine Screw+Grub Hex. Screw	188822-Aluminum Shock Tower	188837-Aluminum Body Post
701001-Steering Sway Arm Assembly	701003-Front Upper Arm Holder	701005-Radio Tray Holder	102048-Aluminum Nut M3	102049-Aluminum Nut M4

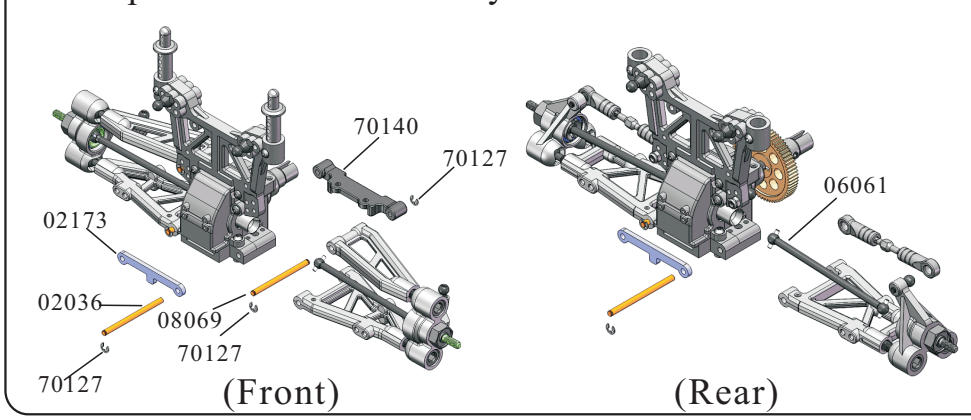
6. Front Suspension Arm Assembly



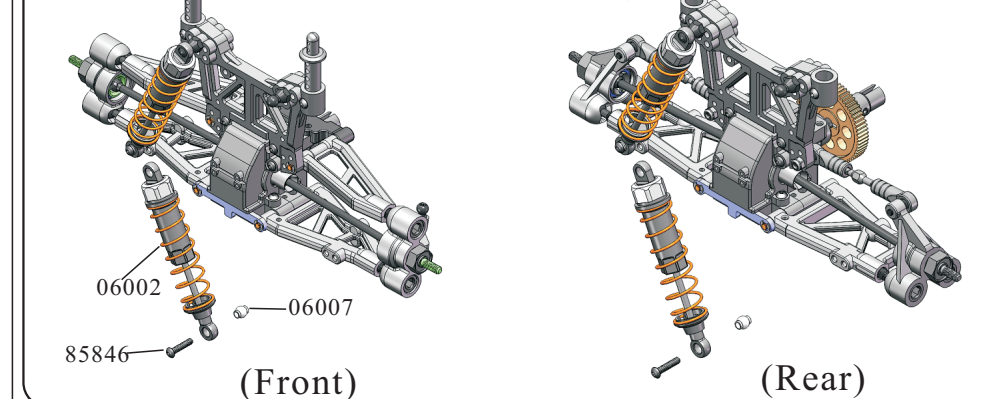
7. Shock Mounting



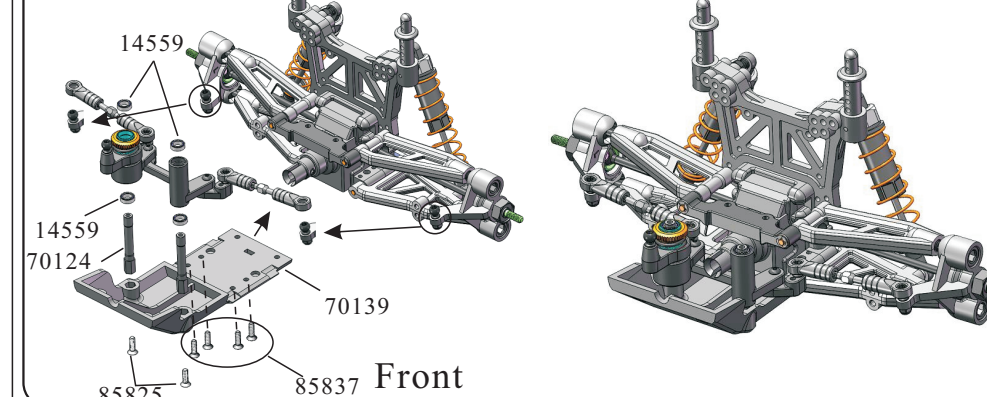
8. Suspension Arm Assembly



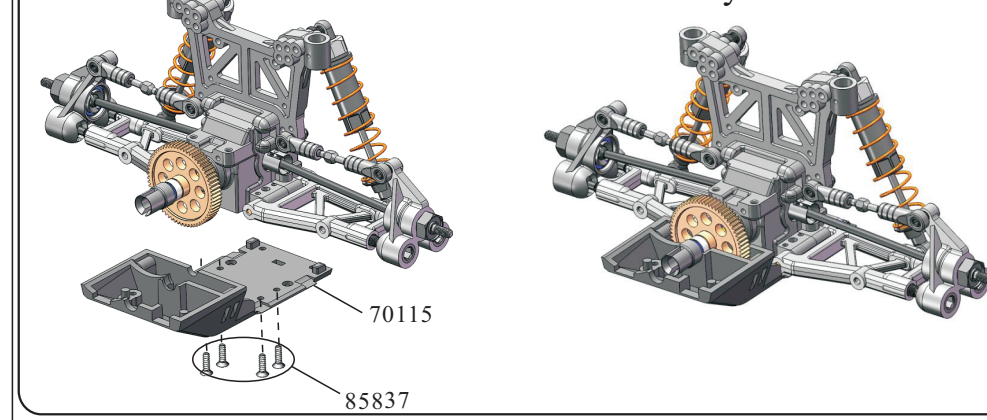
9. Shock Mounting



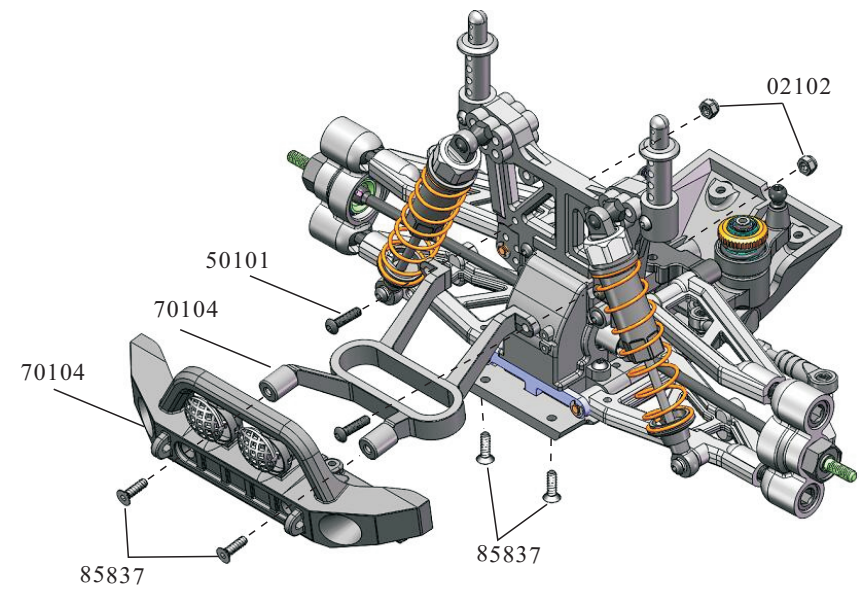
10. Servo Saver Assembly



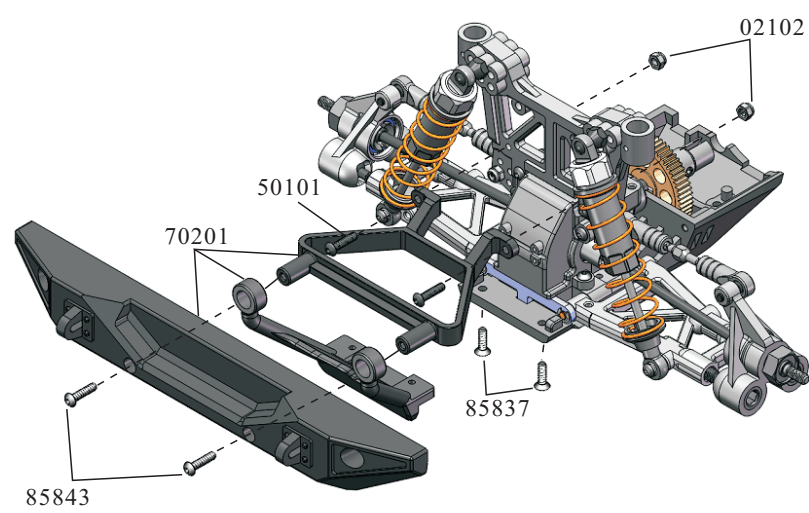
11. Rear Arm Assembly



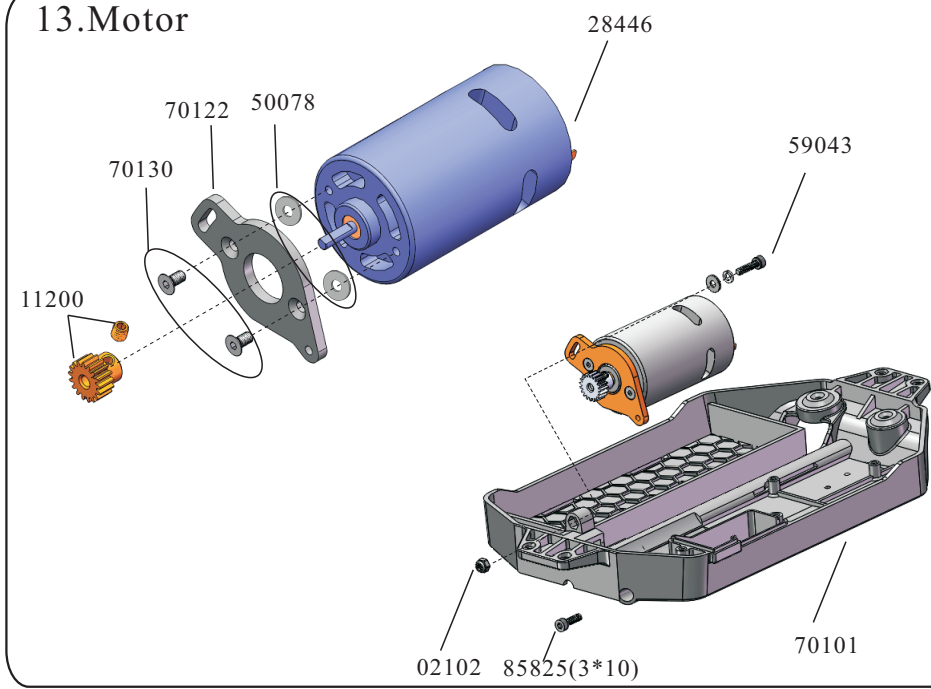
12. Front Bumper Mounting



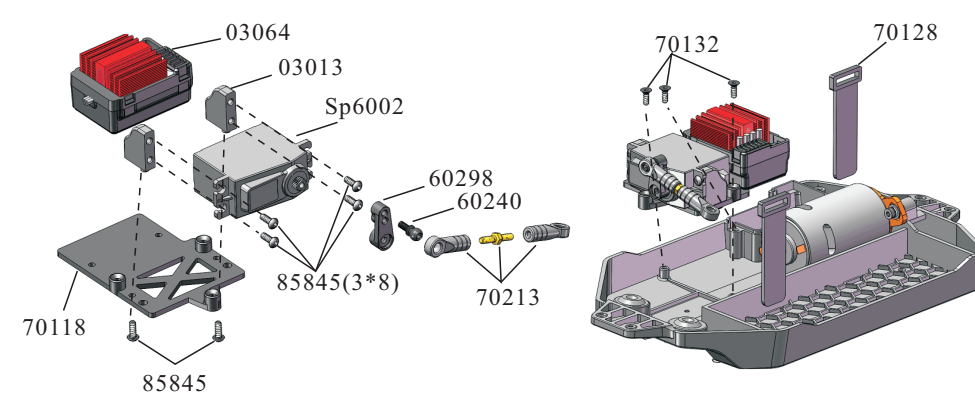
12. Rear Bumper Mounting



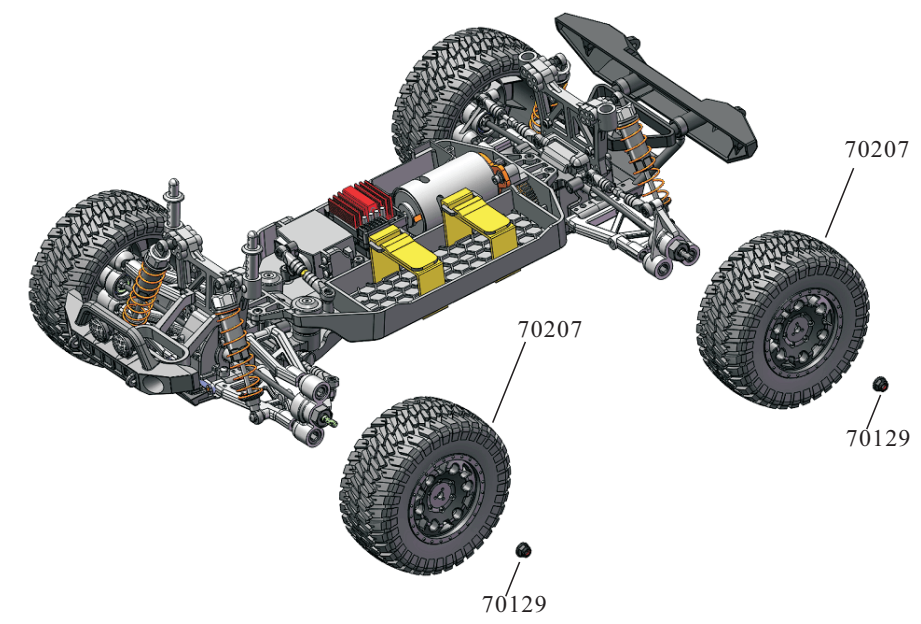
13. Motor



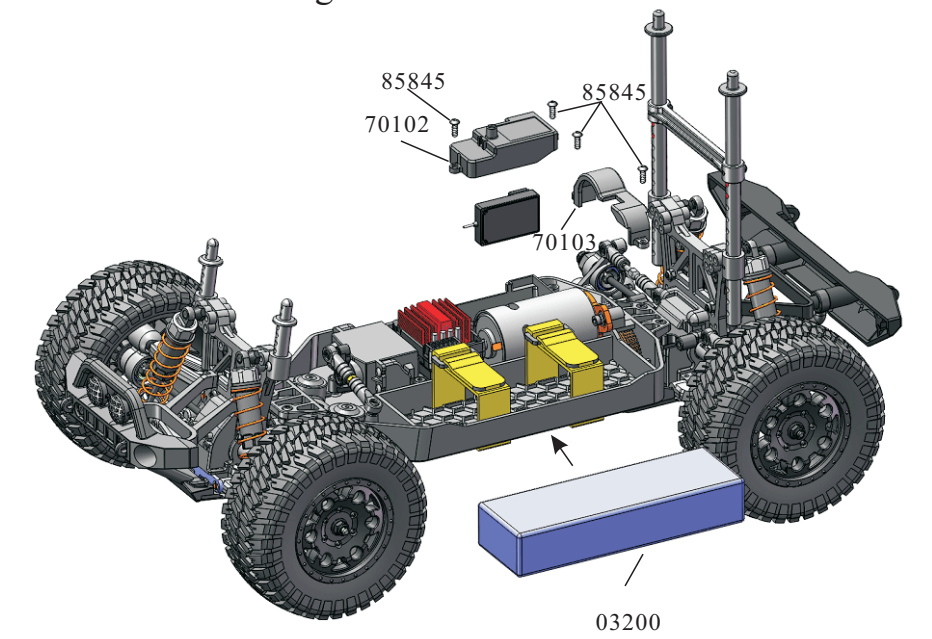
14. Mounting The Servo



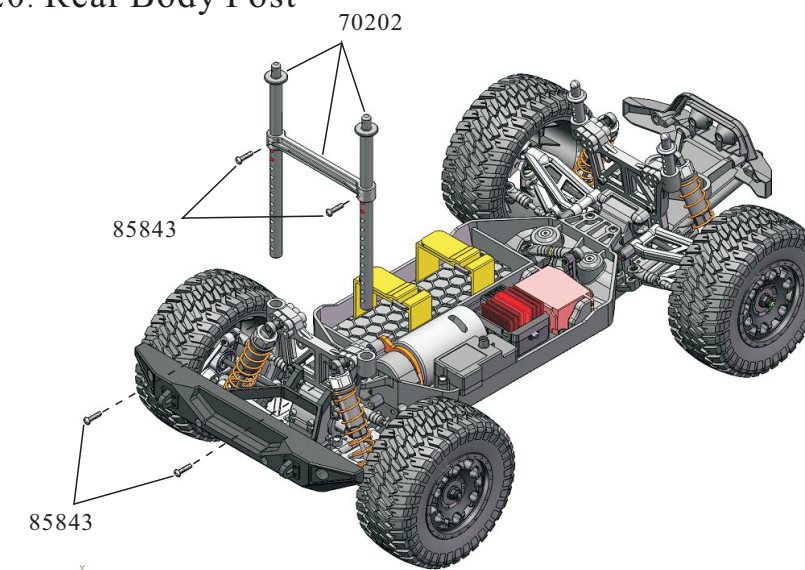
19. Tyre



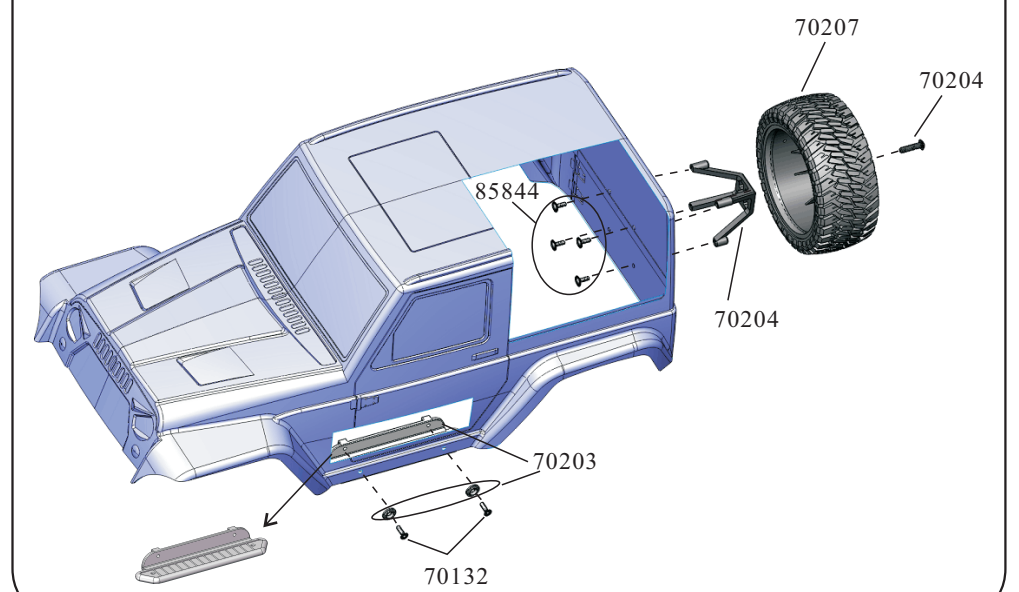
21. Wheel Mounting



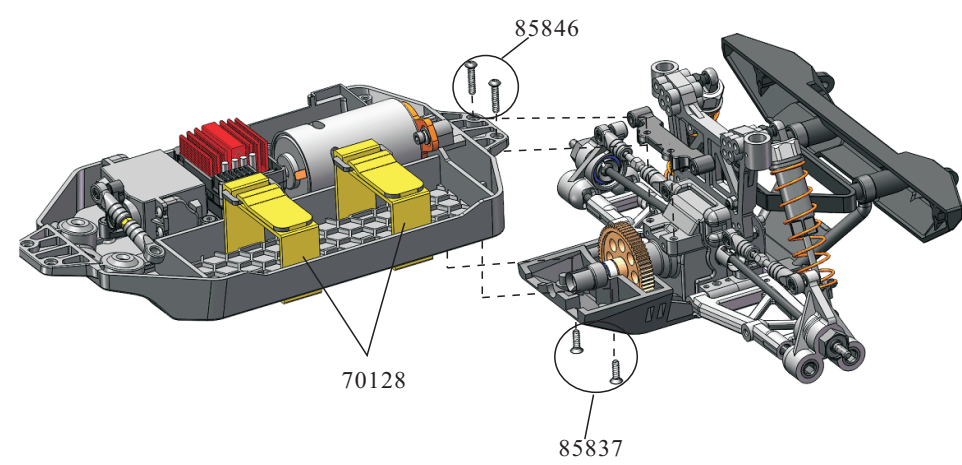
20. Rear Body Post



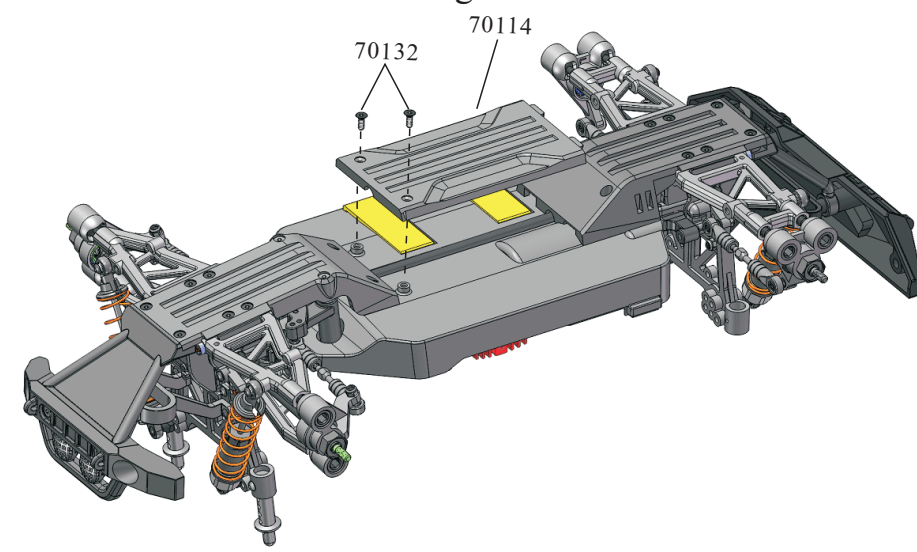
22. Body Mounting



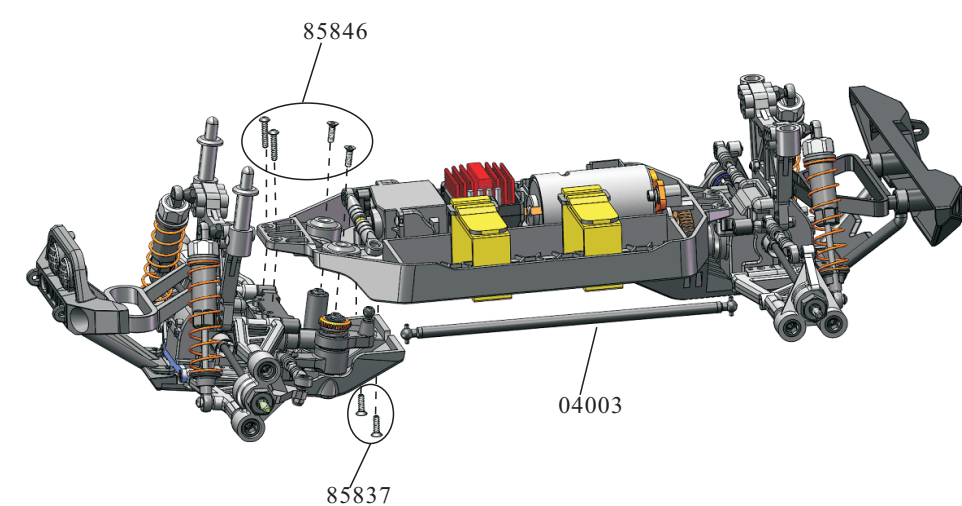
15. Rear Arm Assembly



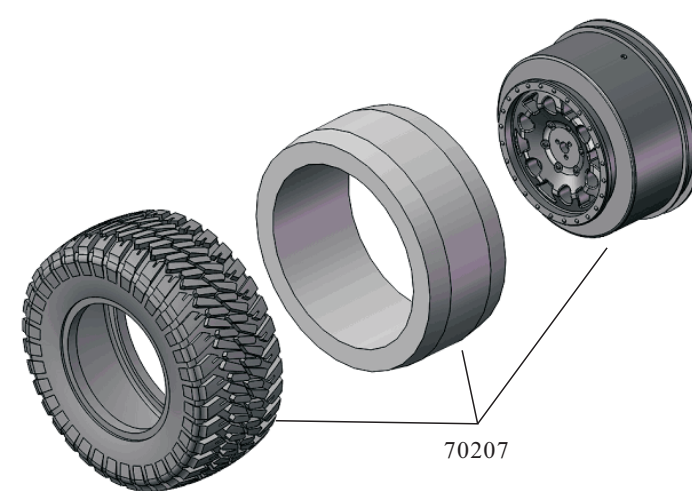
17. Protection Plate Mounting



16. Front Arm Assembly



18. Wheel Complete



23. Body Mounting

