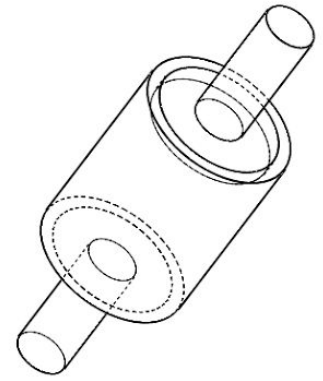


# Silicone Vibration Bobbin

SKU 1415

SKU 3021

The Lumenier Vibration Bobbin is a silicone bobbin with Male/Male M3x0.5 Studs. The bobbin was designed for applications where conventional rubber based bobbins are too stiff/hard and don't provide the needed durometer and vibration isolating properties. Originally designed for aerospace drone applications, Lumenier Vibration Bobbins excel at isolating light sensor payloads from high frequency vibrations and harmonics.



	SKU 1415	SKU 3021
<b>Material</b>	Silicone	Silicone
<b>Thread Material</b>	Zinc Plated Steel	Zinc Plated Steel
<b>Color</b>	Orange	Clear
<b>Hardness</b>	Durometer 34 A	Durometer 24 A
<b>Hardness Rating</b>	Medium	Soft
<b>D (Diameter)</b>	9mm	9mm
<b>L (Length)</b>	28mm	28mm
<b>T (Thread)</b>	M3 x 0.5	M3 x 0.5
<b>S (Spacer Height)</b>	12mm	12mm
<b>SL (Thread Length)</b>	8mm	8mm
<b>Compression Capacity (Lbs)</b>	16lbs	12lbs
<b>Shear Capacity (Lbs)</b>	4lbs	3lbs
<b>Temperature Range (°F)</b>	-10° to +200°	-10° to +200°

