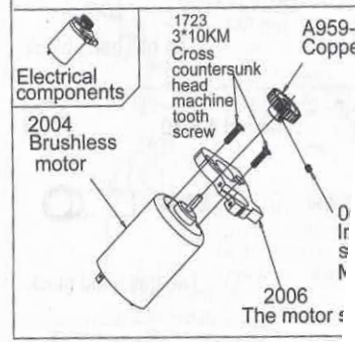
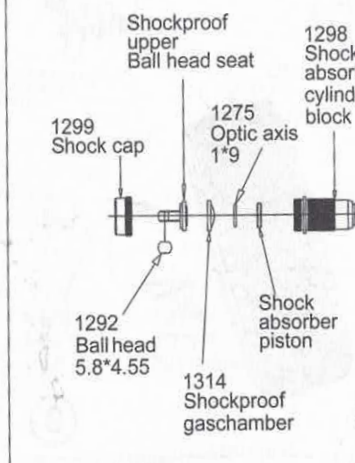
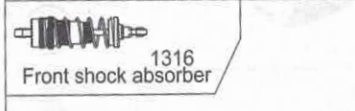
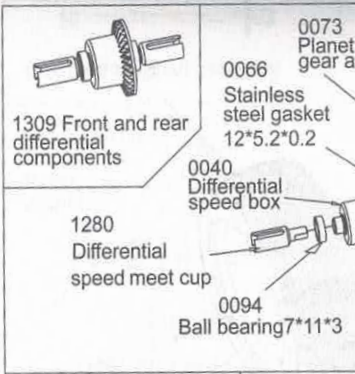
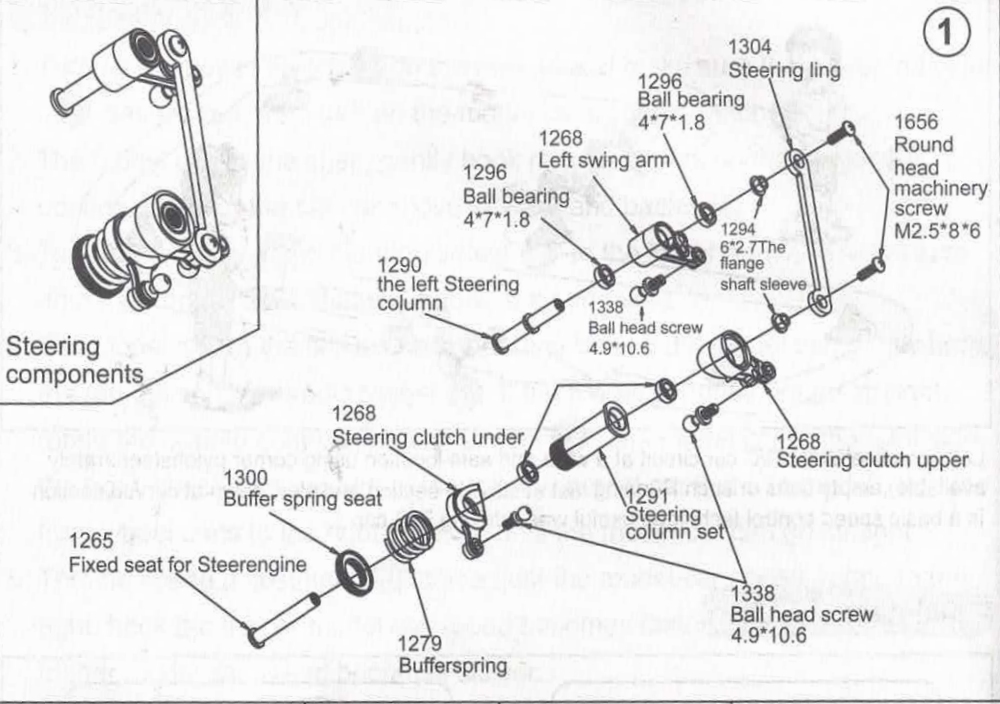
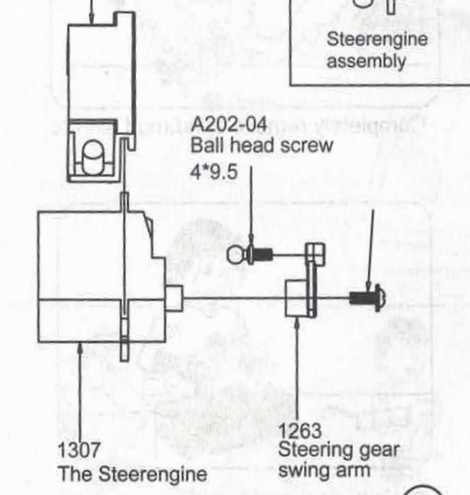
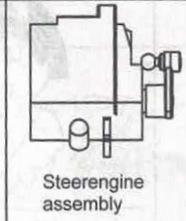


# Assembly Exploded Diagram

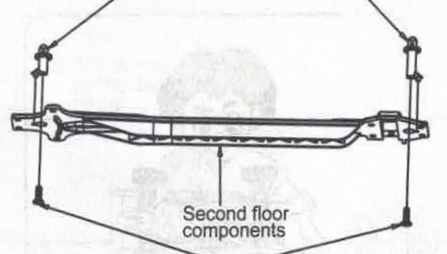
1



1265 Fixed seat for Steerengine



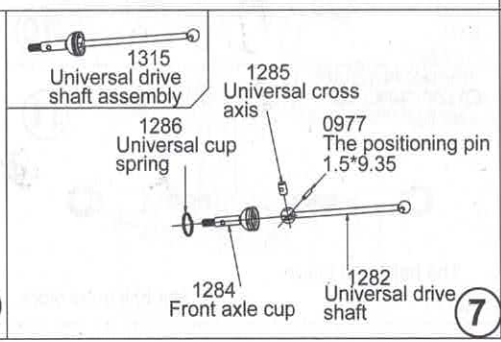
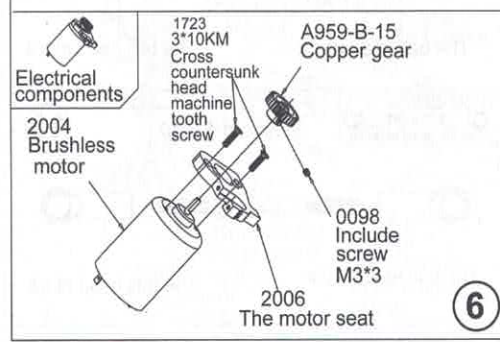
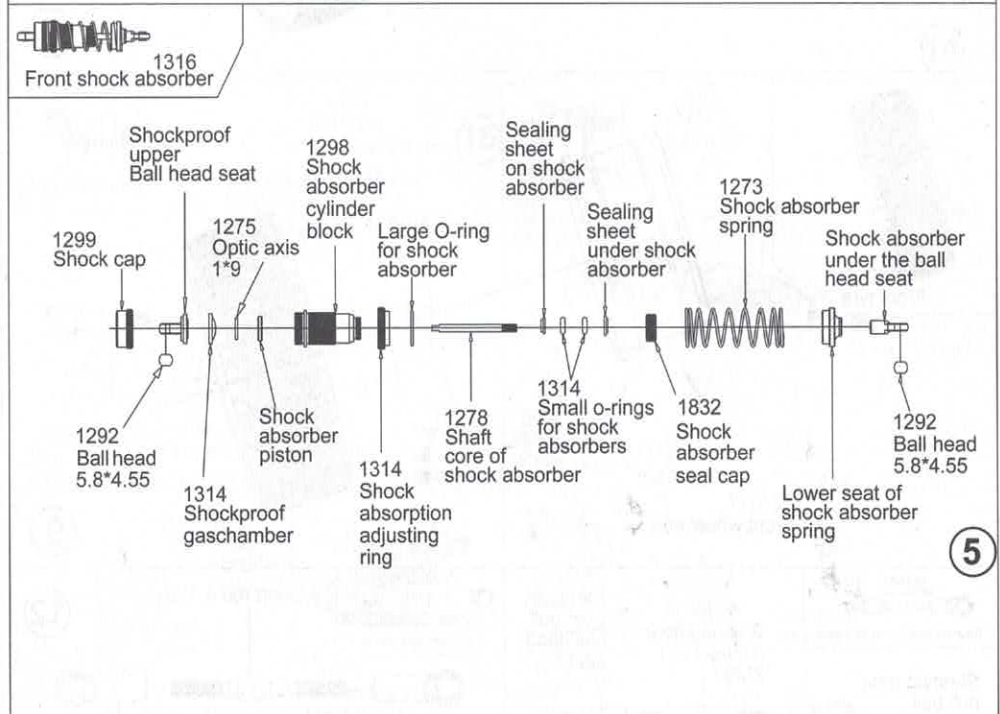
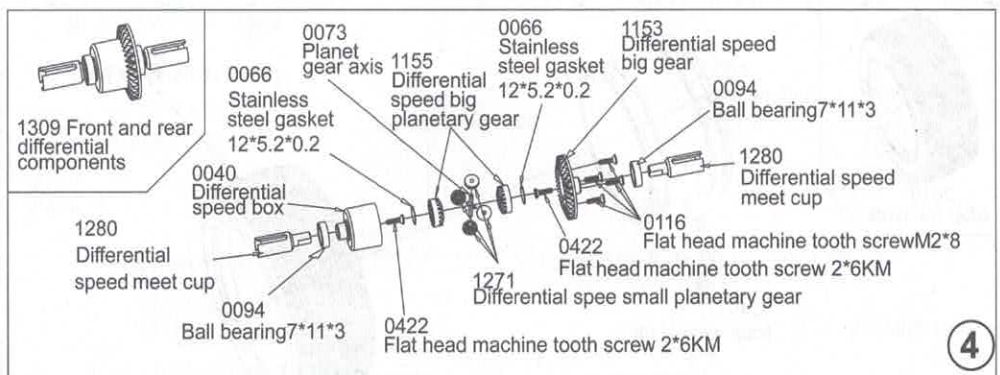
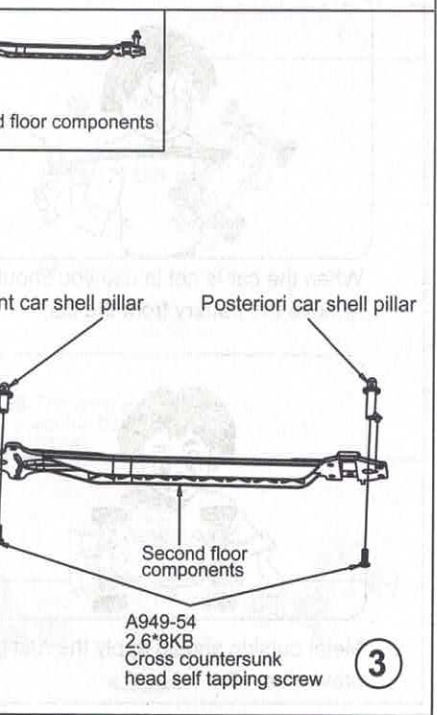
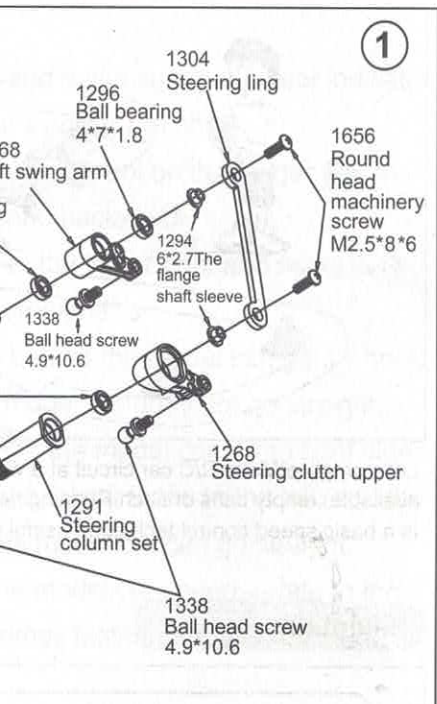
Front car shell pillar      Posteriori car shell pillar

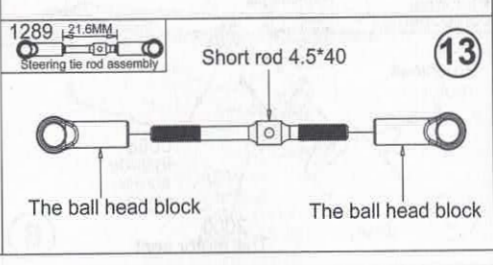
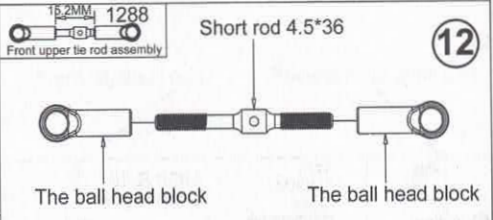
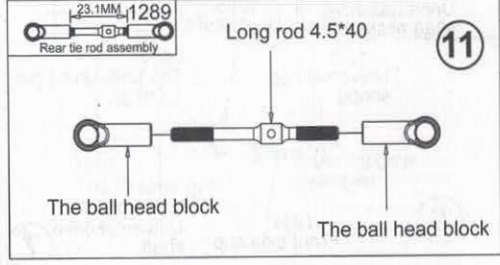
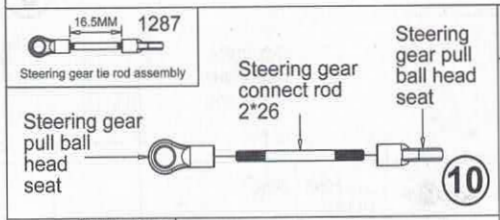
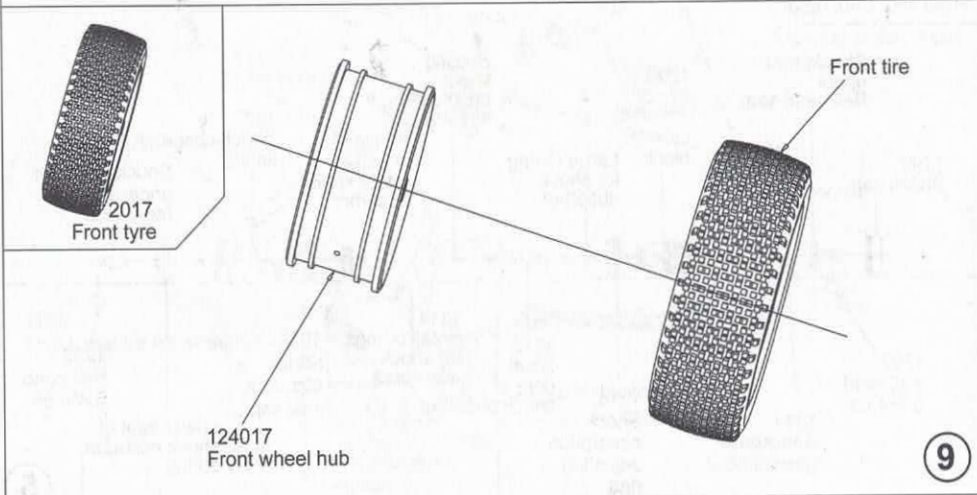
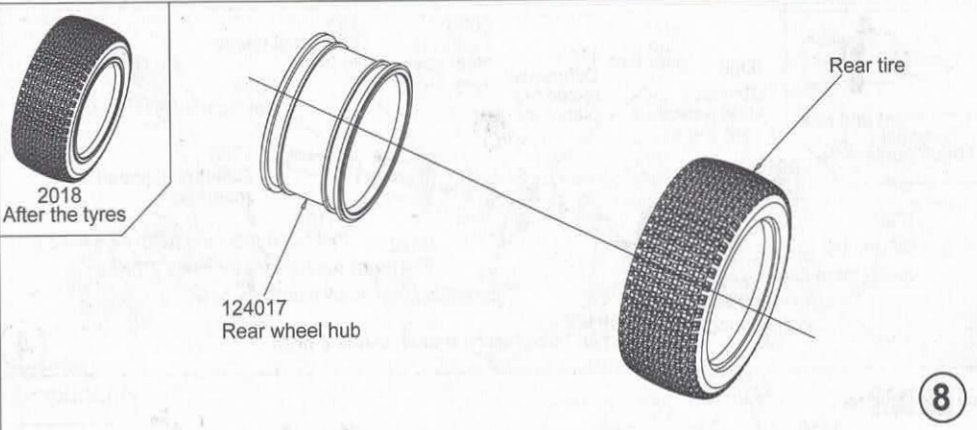


A949-54 2.6\*8KB Cross countersunk head self tapping screw

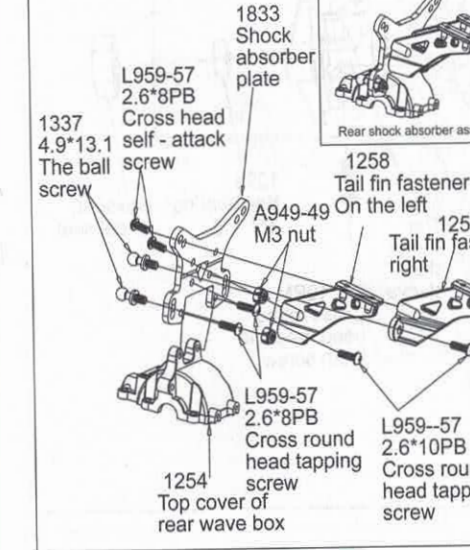
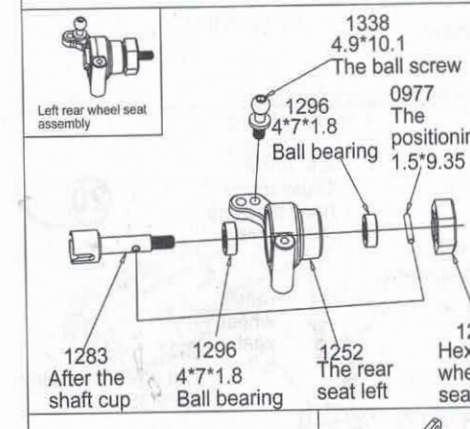
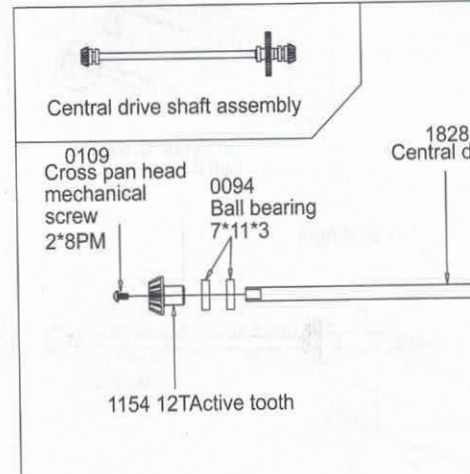
2

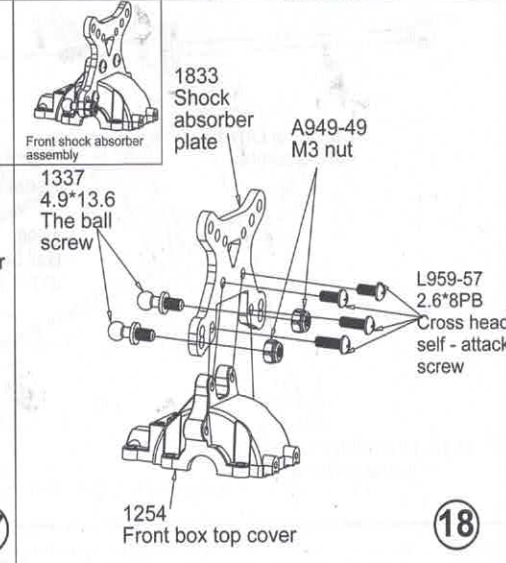
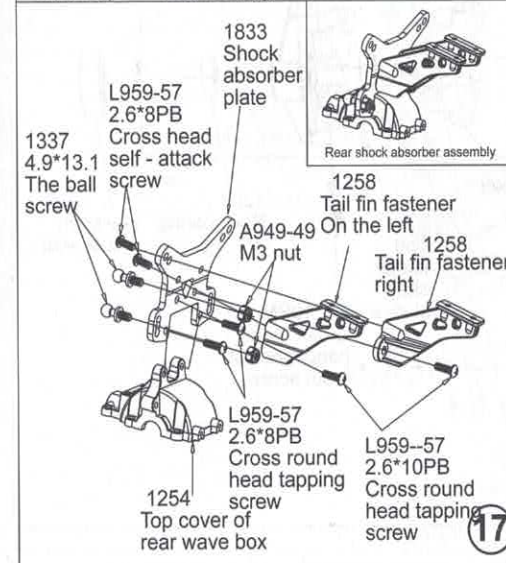
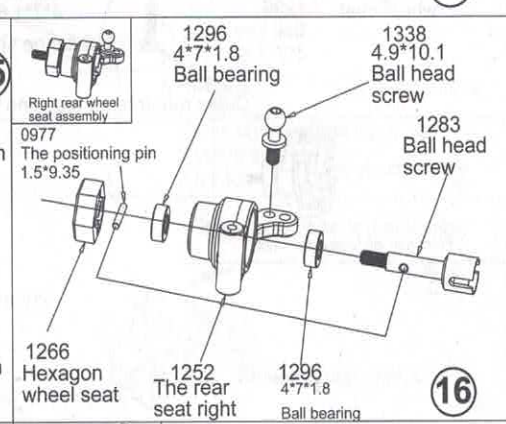
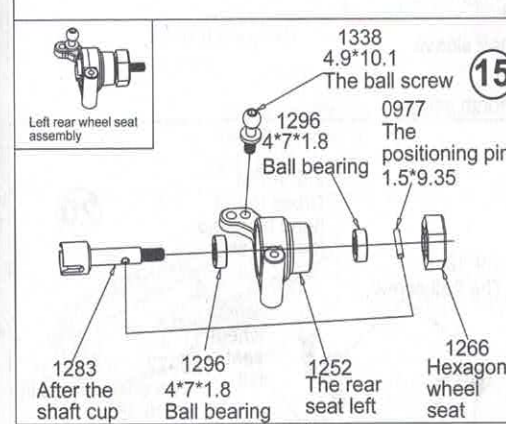
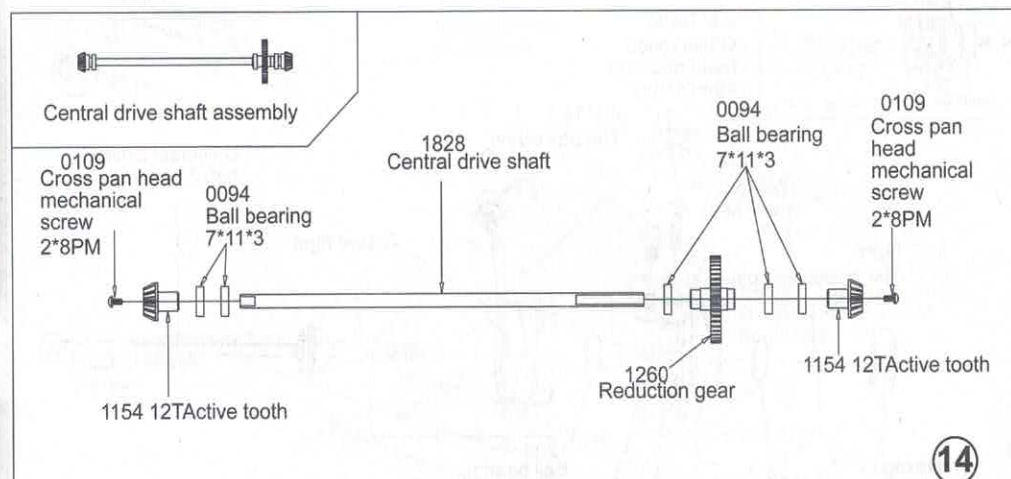
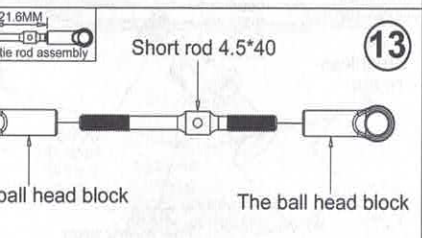
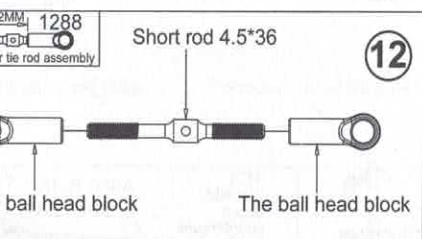
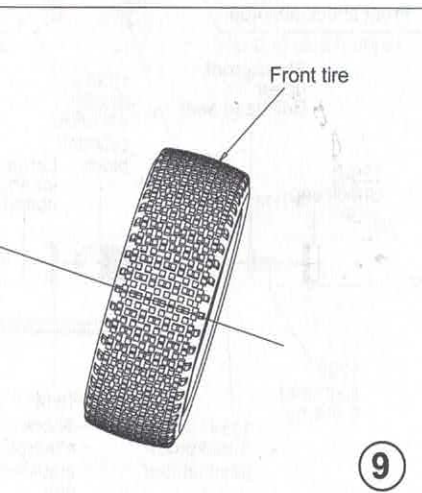
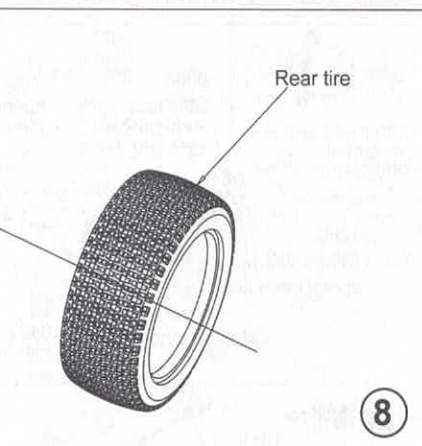
3

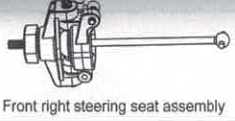




8

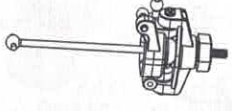
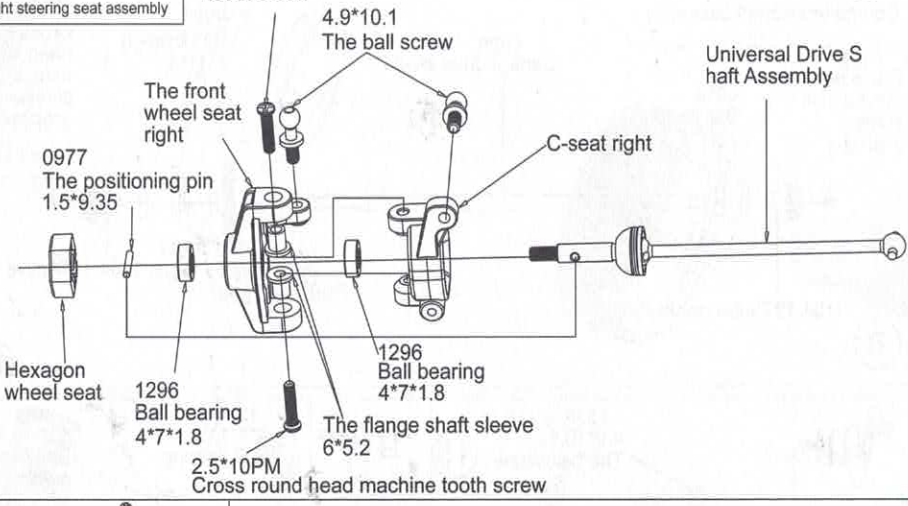






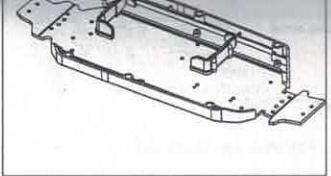
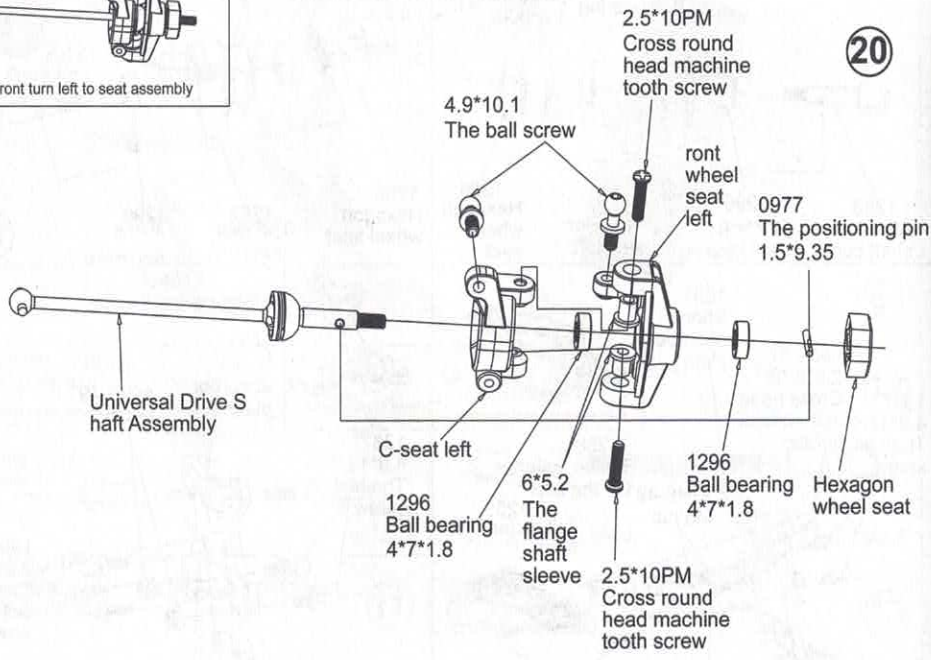
Front right steering seat assembly

19



Front turn left to seat assembly

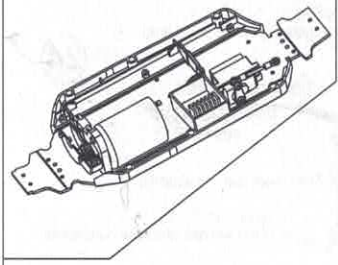
20



Cross countersunk head self tapping screw 2.6\*8KB

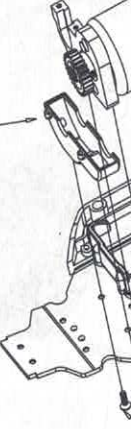
Bottom edge left

Cross countersunk head self tapping screw 2.6\*5KB

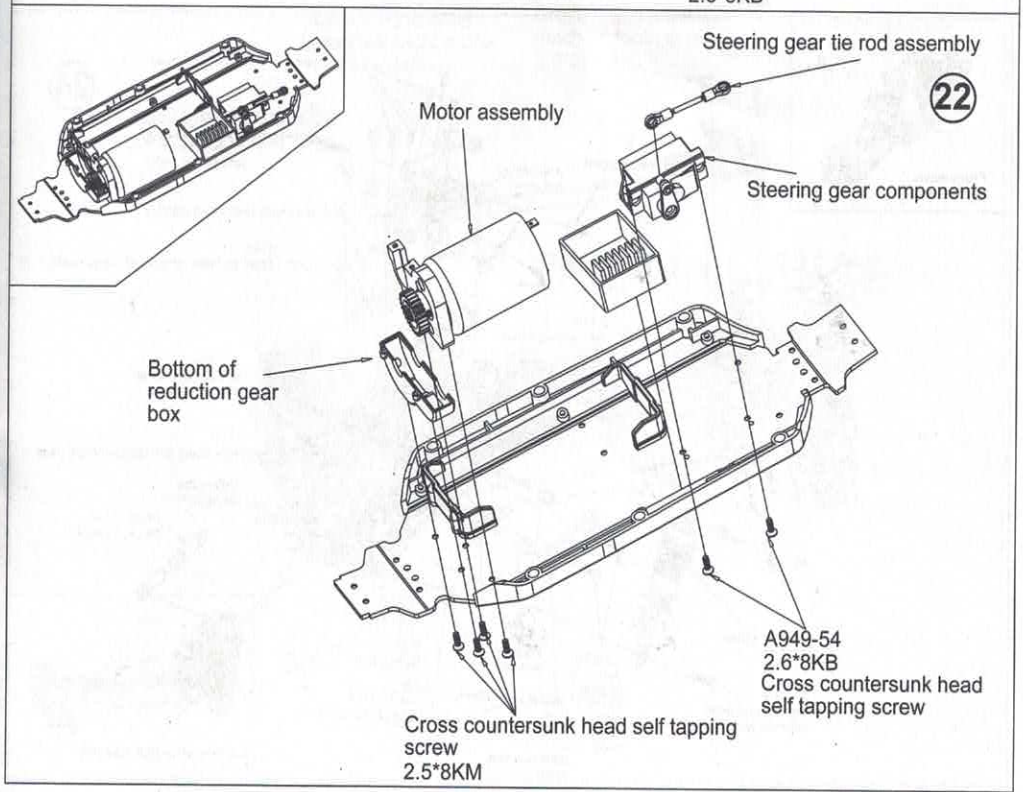
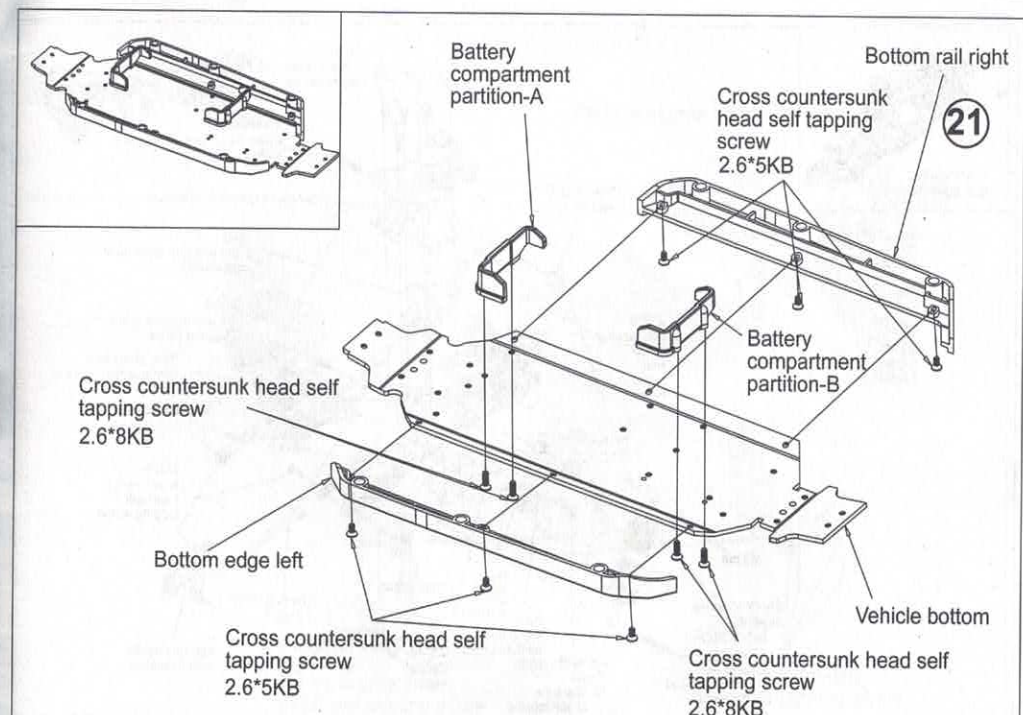
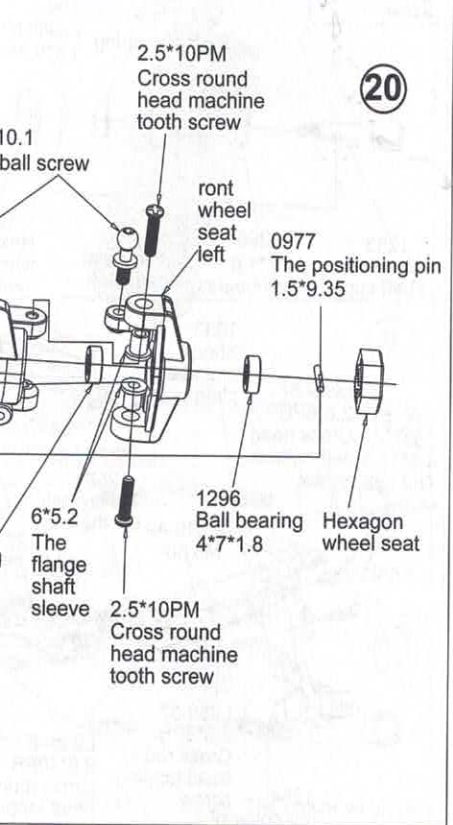
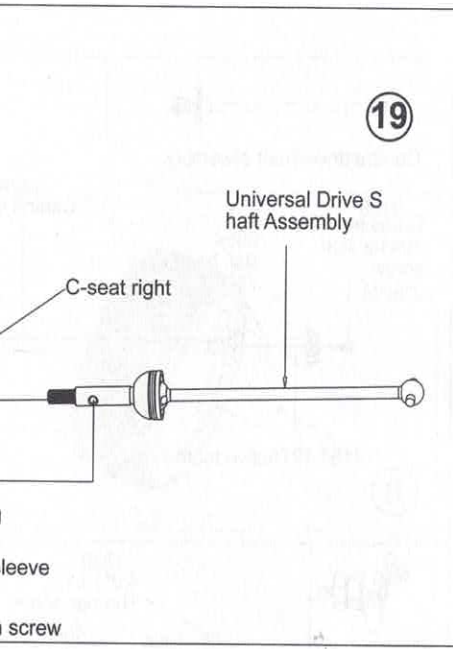


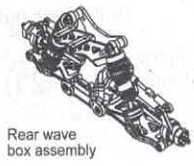
Motor

Bottom of reduction gear box

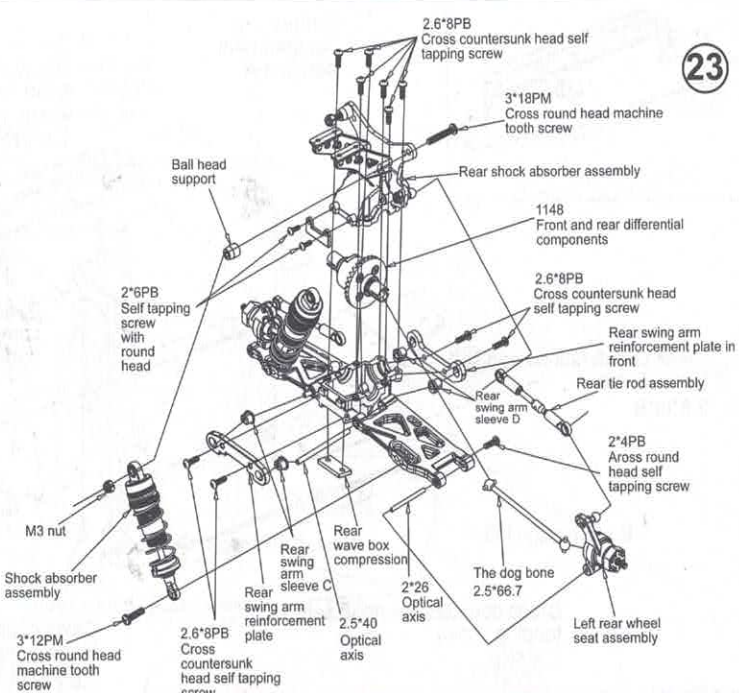


Cross screw 2.5\*8K

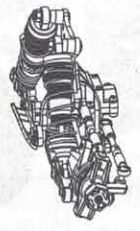
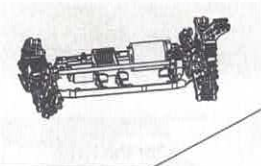




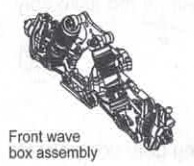
Rear wave box assembly



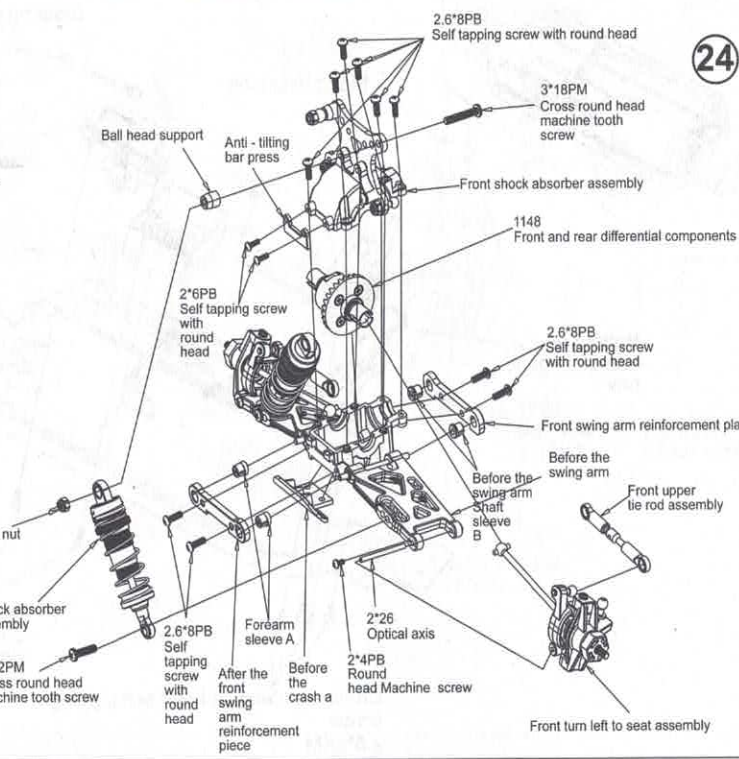
23



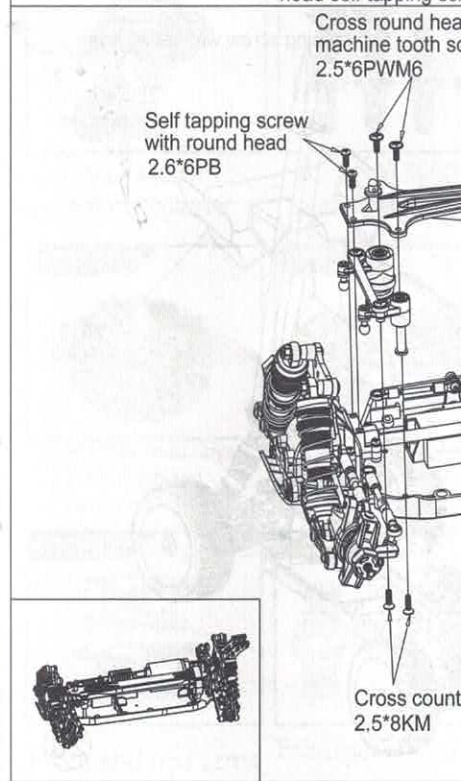
A949-54  
2.6\*8KB  
Cross countersunk head self tapping screw

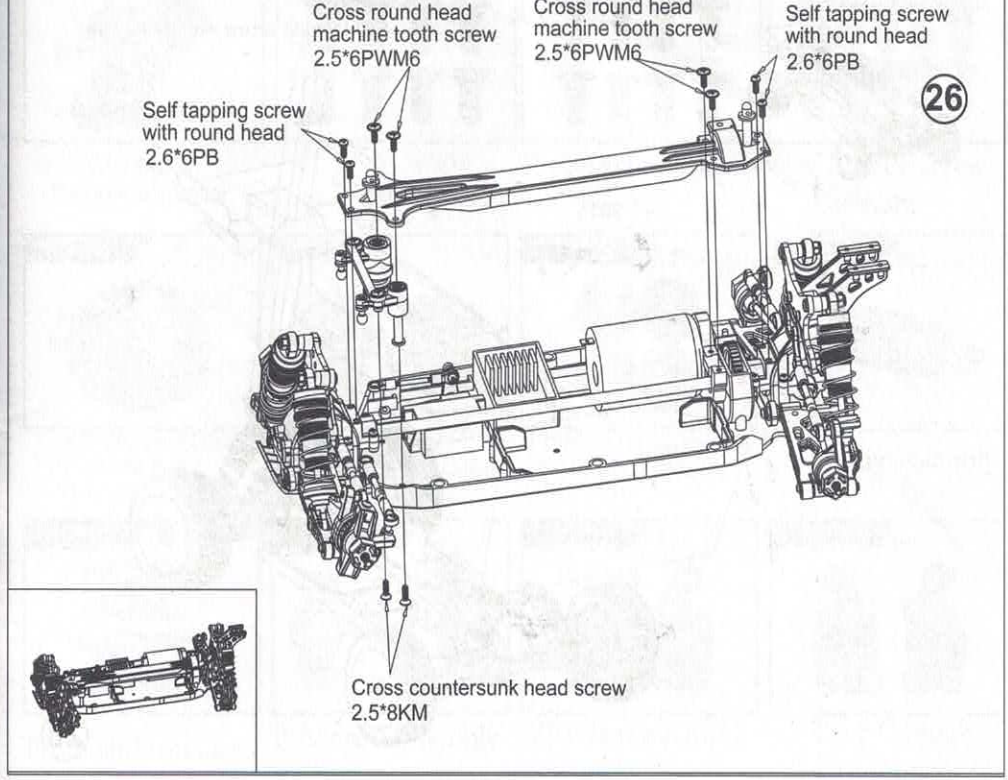
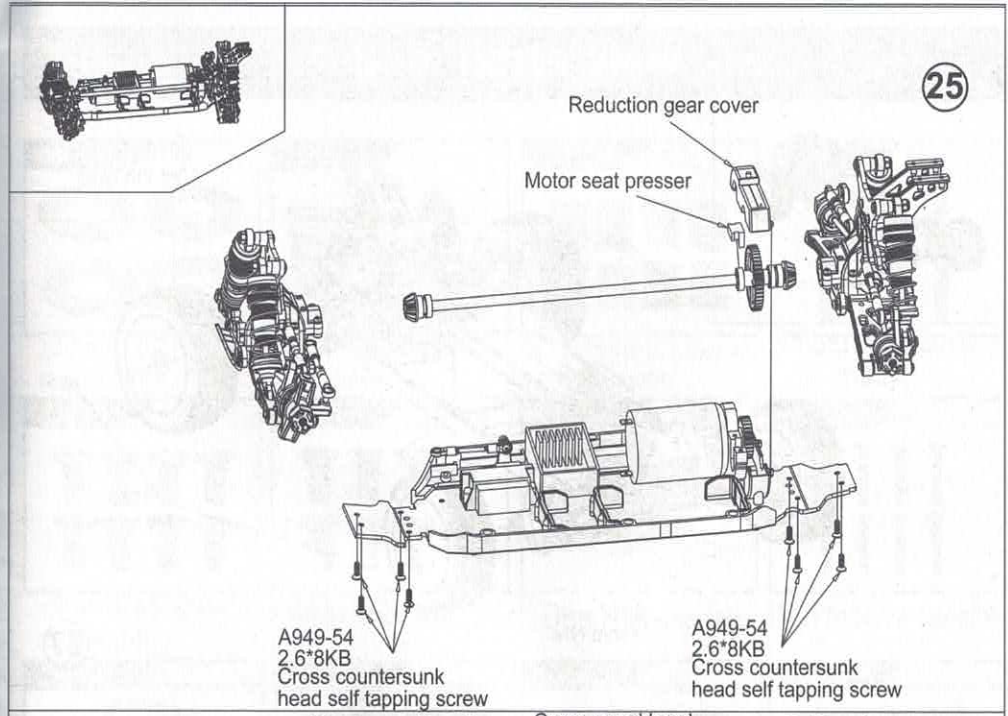
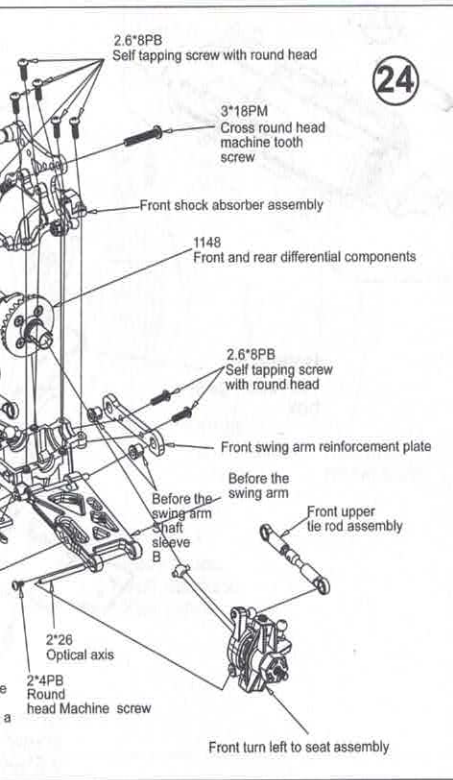
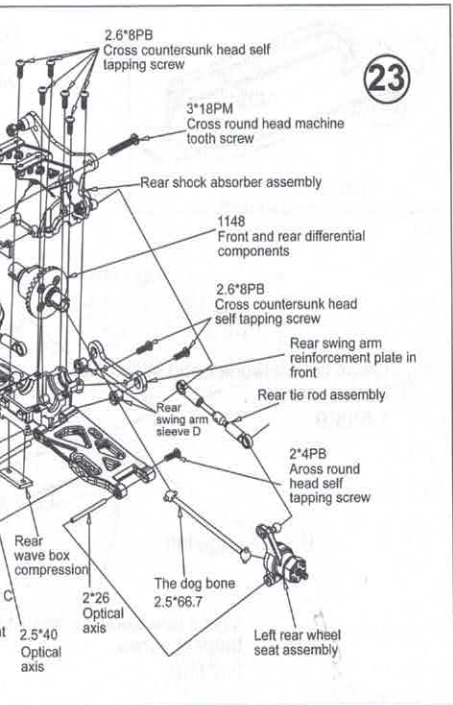


Front wave box assembly

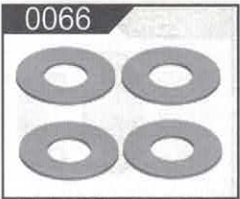
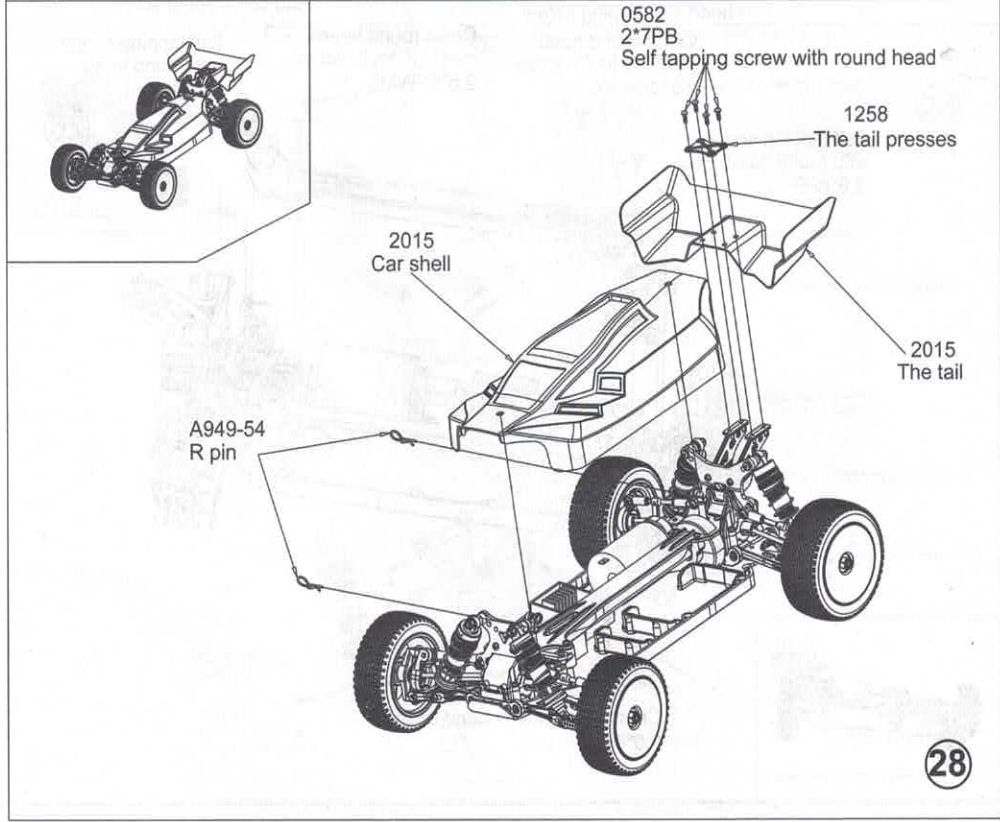
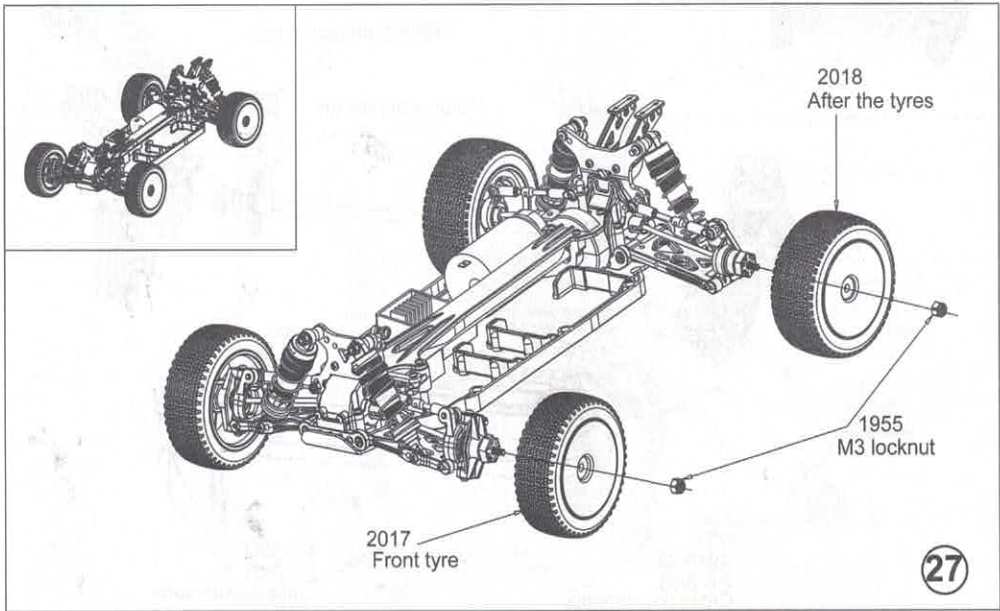


24









12 \* 5.2 \* 0.2 gasket set assembly



Differen assem



2.5\*8KM screw assembly



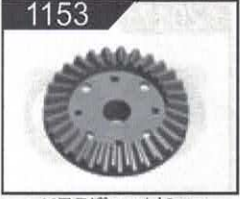
3\*8KM



V2-144001 Remote controller



2 \* 6 assem



30T Differential Large Teeth(Hardware) Component



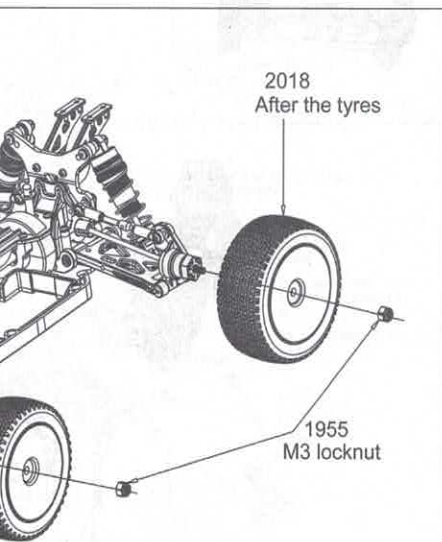
12T Ac Teeth(



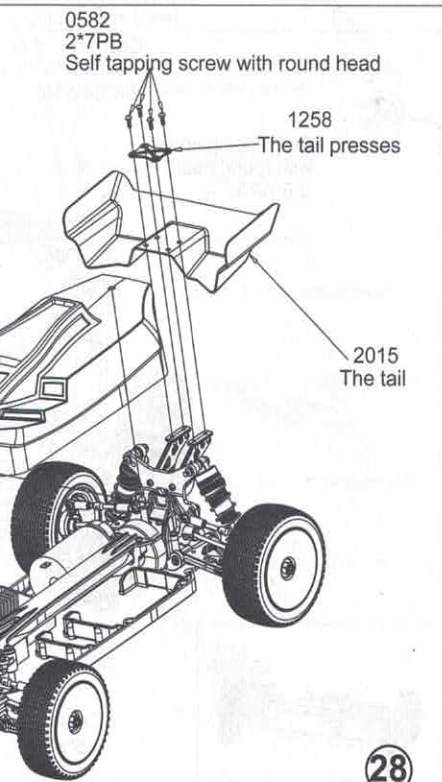
Front and rear arms



Front s

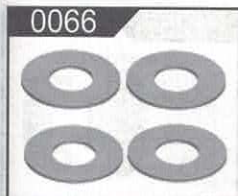


27

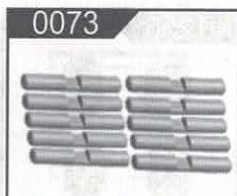


28

## Sale parts view



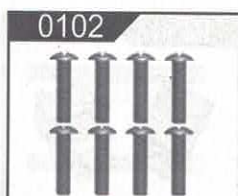
0066  
12 \* 5.2 \* 0.2 gasket set assembly



0073  
Differential shaft assembly



1654  
M3\*3 Inner hexagonal screw assembly



0102  
2.5\*10PM screw assembly



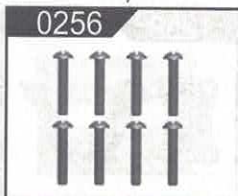
0114  
2.5\*8KM screw assembly



0117  
3\*8KM screw assembly



1374  
USB charging line



0256  
3\*12PM screw assembly



1669  
V2-144001 Remote controller



0422  
2 \* 6KM screw assembly



0553  
2 \* 6PB screw assembly



0582  
ST2\*7PB screw assembly



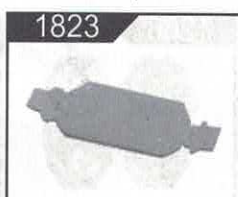
1153  
30T Differential Large Teeth(Hardware) Component



1154  
12T Active Teeth(Hardware) Group



1155  
24T Differential Large Planetary Teeth(Hardware) Group



1823  
car body assembly



1250  
Front and rear arms



1251  
Front seat assembly

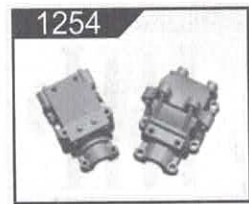


1252  
Rear seat assembly

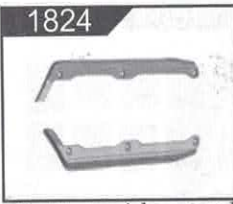


1253  
Type C Block Component

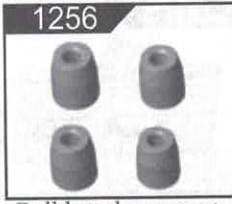
# Sale parts view



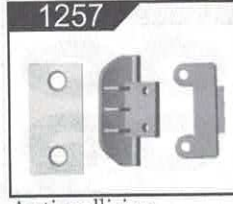
1254 Wave Box Component



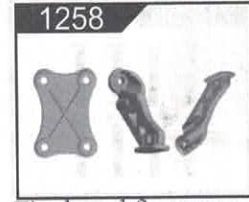
1824 Bottom side guard assembly



1256 Ball head support assembly



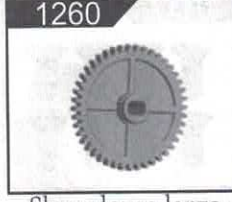
1257 Anti-collision accessories components



1258 Final-end firmware component



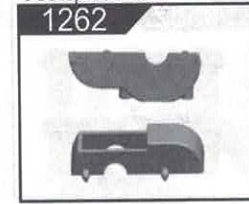
1825 Second floor panel components



1260 Slow down large tooth assembly



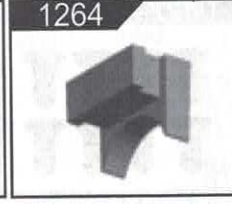
1261 Battery partition assembly



1262 Speed gear upper and lower cover assembly



1263 Tiller arm assembly



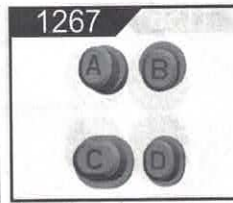
1264 Motor seat press component



1265 Steering seat press assembly



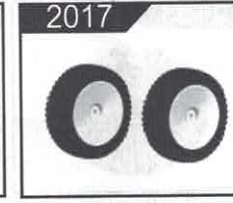
1266 Hexagonal seat assembly



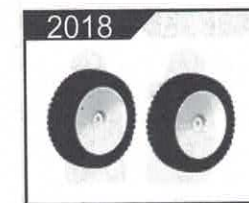
1267 Front and rear arm sleeve



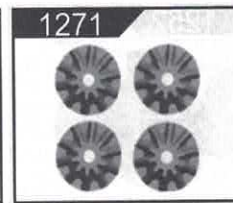
1268 Switch to clutch component



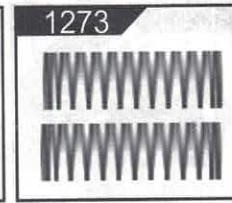
2017 Front tire assembly



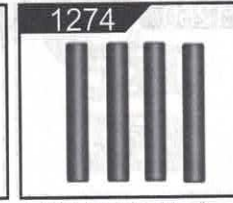
2018 Back tire assembly



1271 10T Differential Asteroid Teeth(Hardware) Group

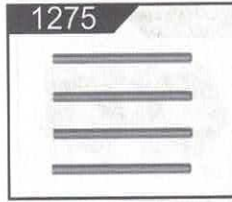


1273 Shock absorber spring assembly

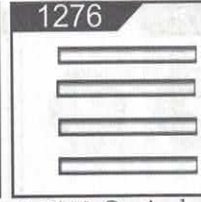


1274 1.5\*9.35 Optical axis

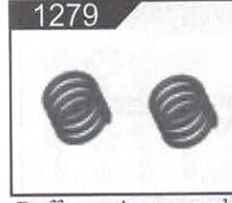
# Sale



1275 1\*9 Optical axis



1276 2.5\*40 Optical axis



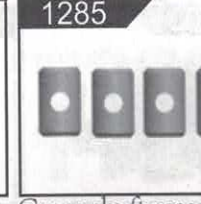
1279 Buffer spring assembly



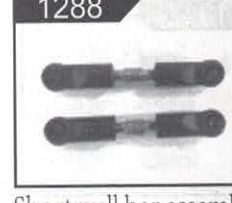
1281 Dog bone assembly



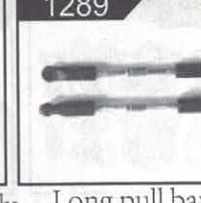
1284 Front Wheel Cup Component



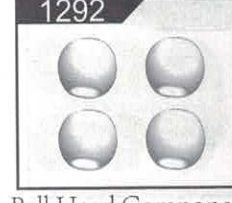
1285 Cross shaft assembly



1288 Short pull bar assembly



1289 Long pull bar assembly



1292 Ball Head Component



1828 Central Transmission Axis Component

## Parts view



1256



1260



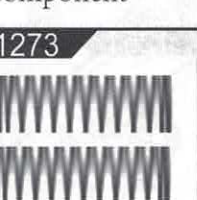
1264

Motor seat press component



1268

Switch to clutch component



1273

Shock absorber spring assembly



1257



1261



1265

Steering seat press assembly



2017

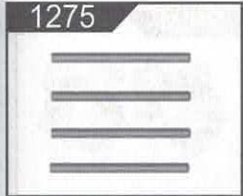
Front tire assembly



1274

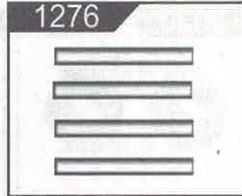
1.5\*9.35 Optical axis

## Sale parts view



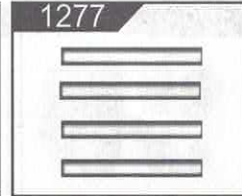
1275

1\*9 Optical axis



1276

2.5\*40 Optical axis



1277

2\*26 Optical axis



1278

Shock absorber shaft component



1279

Buffer spring assembly



1281

Dog bone assembly



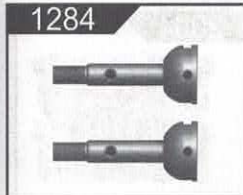
1282

Universal drive shaft assembly



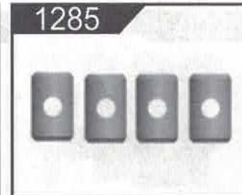
1283

Rear Wheel Cup Component



1284

Front Wheel Cup Component



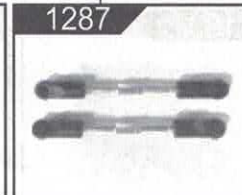
1285

Cross shaft assembly



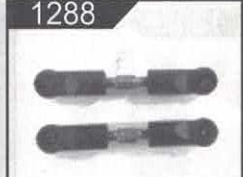
1286

Universal cup spring assembly



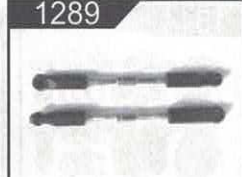
1287

Steering gear lever assembly



1288

Short pull bar assembly



1289

Long pull bar assembly



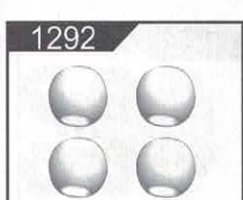
1290

Steering column assembly



1291

Steering column sleeve component



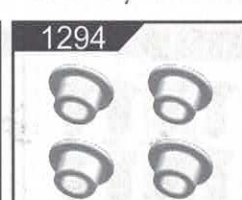
1292

Ball Head Component



1828

Central Transmission Axis Component



1294

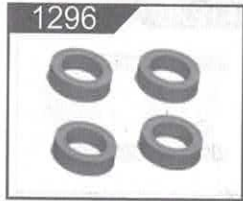
6 \* 2.7 flange sleeve assembly



1295

6 \* 5.2 flange sleeve assembly

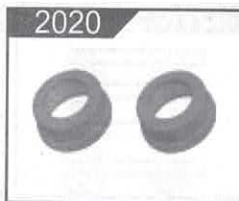
# Sale parts view



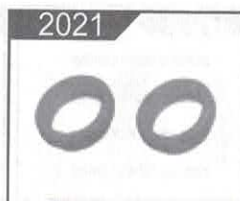
1296  
4\*7\*1.8  
Ball bearing assembly



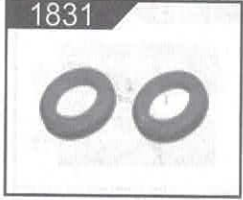
1298  
Shock absorber  
cylinder assembly



2020  
Shock absorber  
cap assembly



2021  
Regulate Ring  
Component



1831  
Spring seat assembly



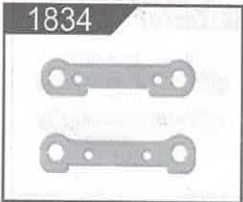
1833  
Shock absorber  
assembly



2006  
Motor Block  
Component



1304  
Steering connecting  
rod assembly



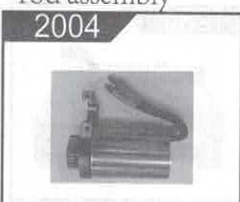
1834  
Front swing arm  
reinforcement module



1835  
Backswing arm  
reinforcement module



2003  
Rudder assembly



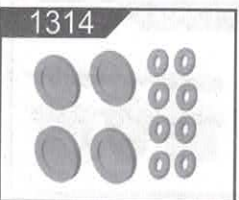
2004  
Motor components



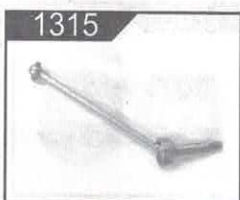
1309  
Differential



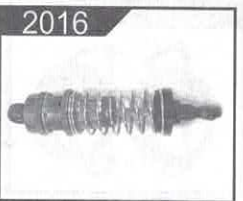
2005  
Receiver board  
assembly



1314  
Type 0 assembly



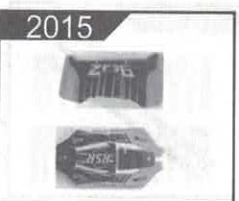
1315  
Coaxial component



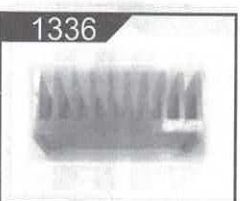
2016  
Front shock  
absorber assembly



1323  
ST2.6\*5KB screw  
assembly



2015  
Car shell components

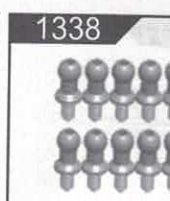


1336  
Heat Discharge Group

# Sale



1337  
4.9\*13.6 Ball Head  
screw assembly



1338  
4.9\*10.6 Ball  
screw assembly



A303-39  
ST2.6\*6PWB6 screw  
assembly



1839  
Central drive  
shaft assembly



A949-38  
ST2.6\*6PB screw  
assembly



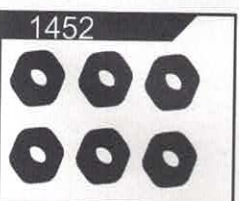
A949-43  
2.5\*6PWM6 S  
assembly



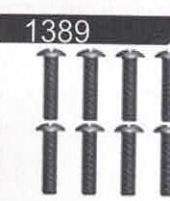
1652  
Battery assembly



L959-54  
ST2.6\*8KB screw  
assembly

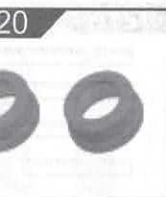


1452  
M3 flange nut

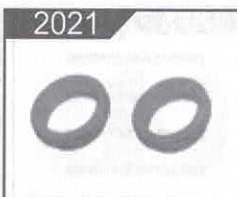


1389  
3 \* 20pm  
round head  
machine screw

## view



20  
Shock absorber  
assembly



2021  
Regulate Ring  
Component



206  
Motor Block  
component



1304  
Steering connecting  
rod assembly



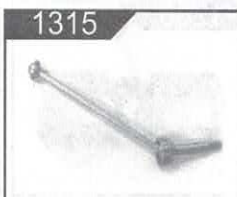
203  
Under assembly



2004  
Motor components



14  
Wheel assembly



1315  
Coaxial component



15  
Wheel components

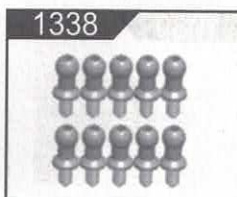


1336  
Heat Discharge Group

## Sale parts view



1337  
4.9\*13.6Ball Head  
screw assembly



1338  
4.9\*10.6Ball Head  
screw assembly



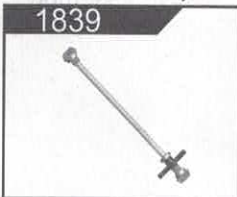
A202-04  
4.0\*9.5Ball Head  
screw assembly



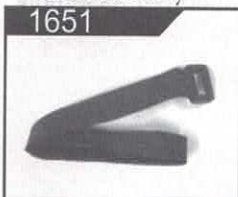
A202-15  
ST2\*8KB screw  
assembly



A303-39  
ST2.6\*6PWB6 screw  
assembly



1839  
Central drive  
shaft assembly



1651  
Magic paste group



A949-35  
Ball bearings 7 \* 11 \* 3  
groups



A949-38  
ST2.6\*6PB screw  
assembly



A949-43  
2.5\*6PWM6 Screw  
assembly



A949-49  
M3 Loose nut  
assembly



A959-B-15  
Motor teeth 27T group



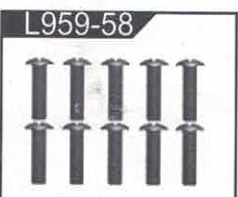
1652  
Battery assembly



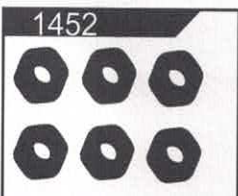
L959-54  
ST2.6\*8KB screw  
assembly



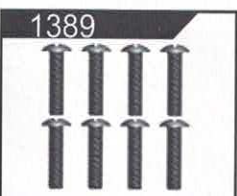
L959-57  
ST2.6\*8PB screw  
assembly



L959-58  
ST2.6\*10PB screw  
assembly



1452  
M3 flange nut



1389  
3 \* 20pm Cross  
round head  
machine screw

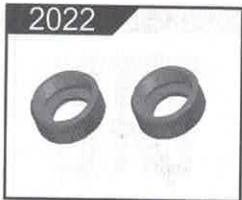


1453  
2\*4PWM5  
Cross round head  
machine screw



1656  
2.5\*8PWM6  
Cross round head  
machine screw

# Sale parts view



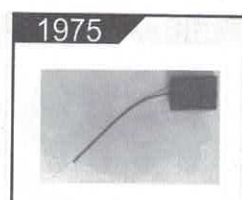
Shock proof sealing cap 11 \* 4.5 sets



Rear shock absorber assembly



Zinc alloy cross sleeve assembly



Brushless receiver

