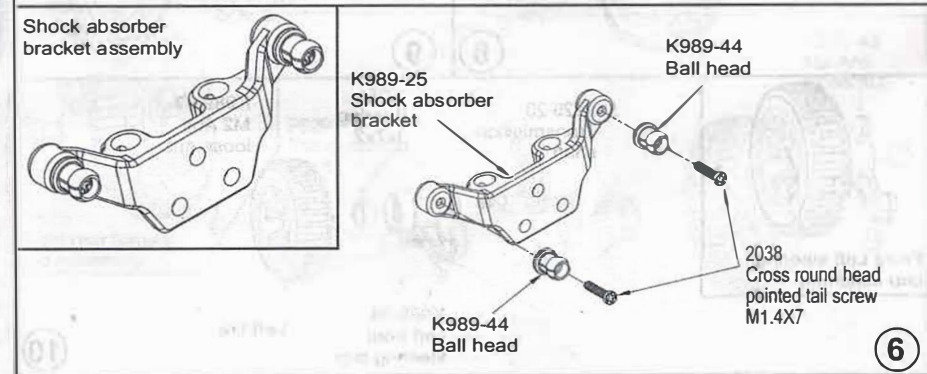
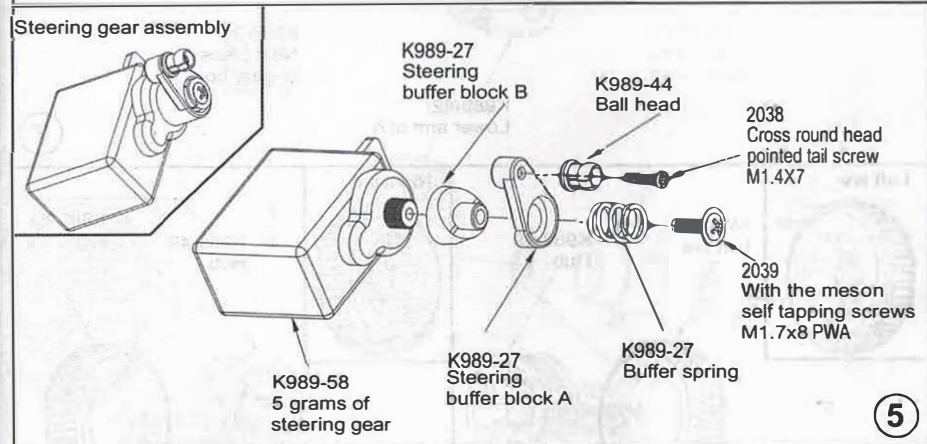
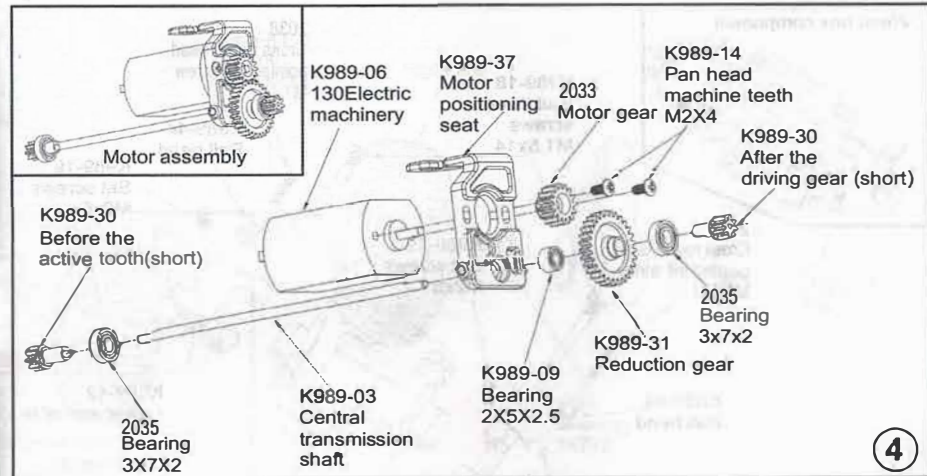
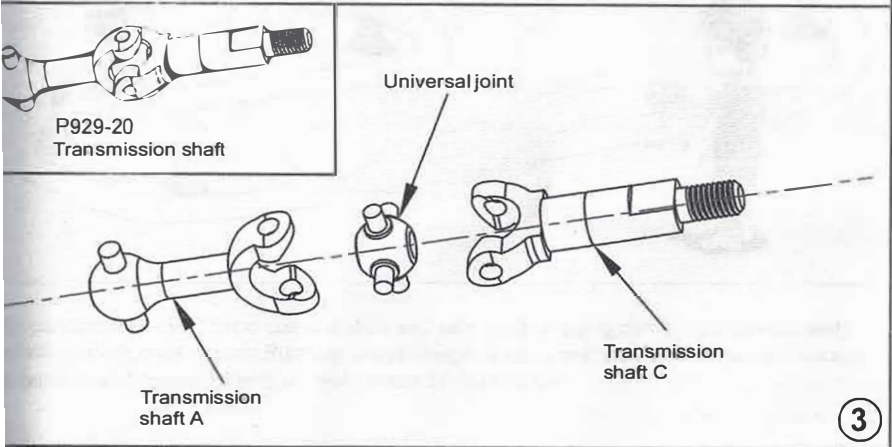
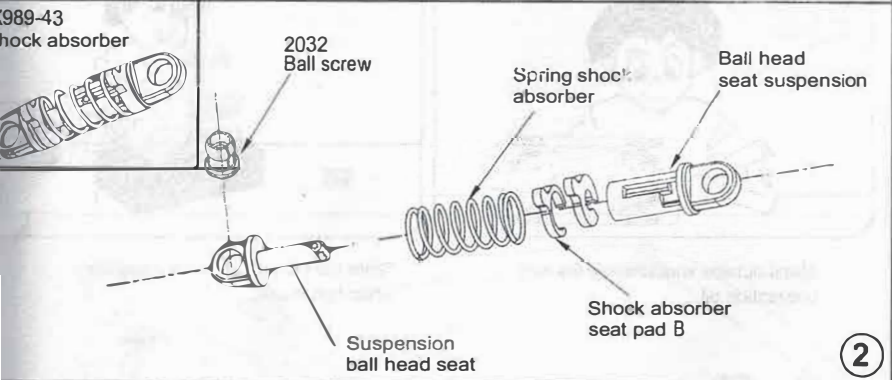
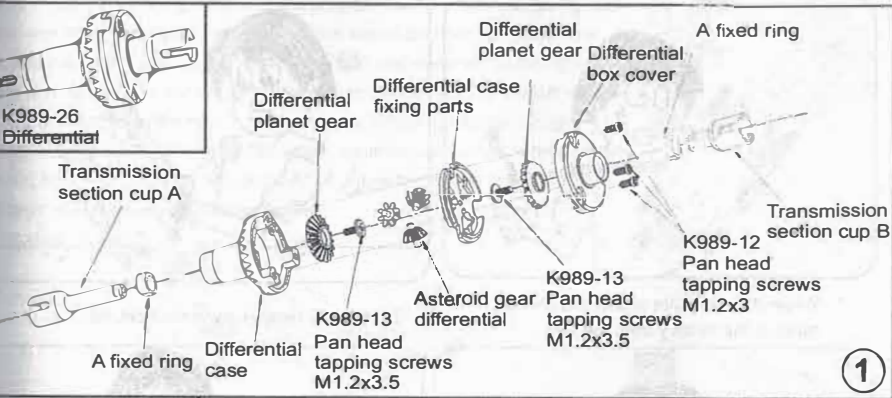
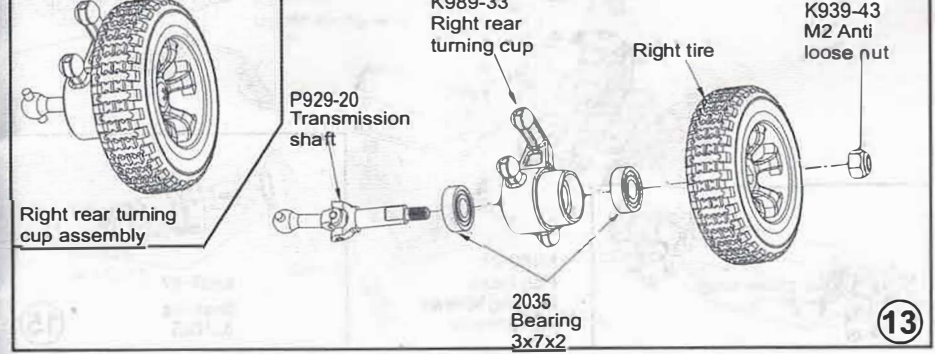
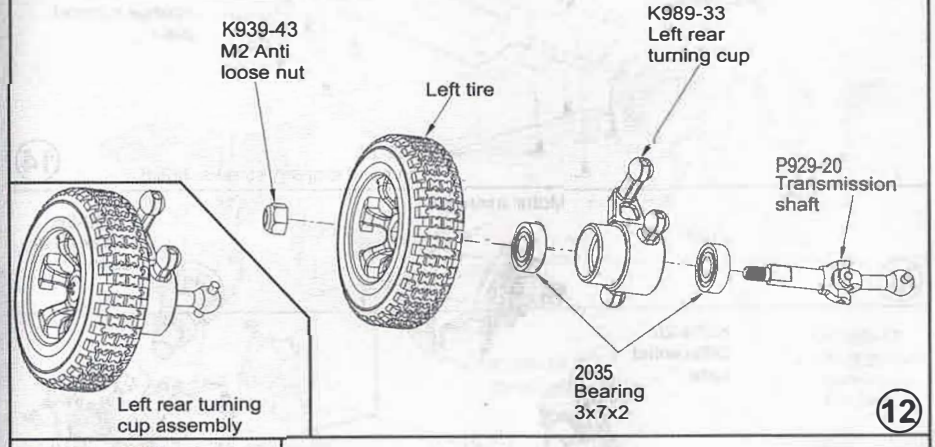
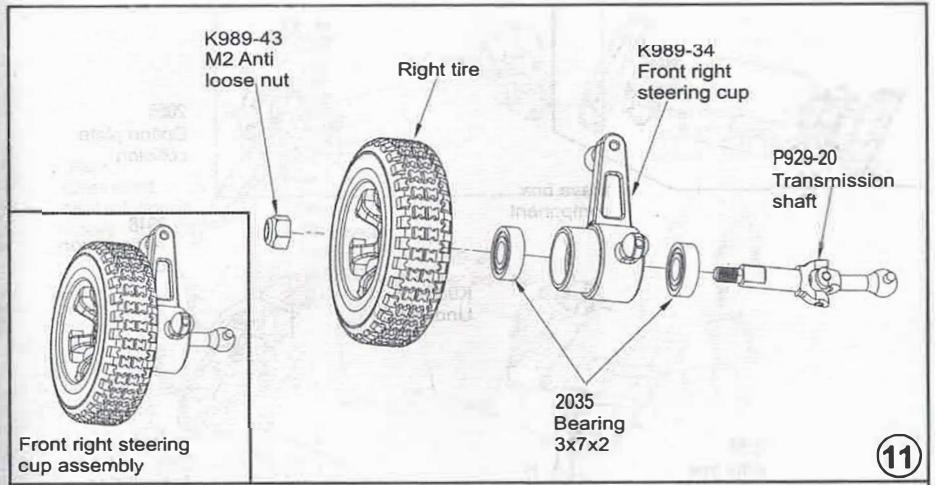
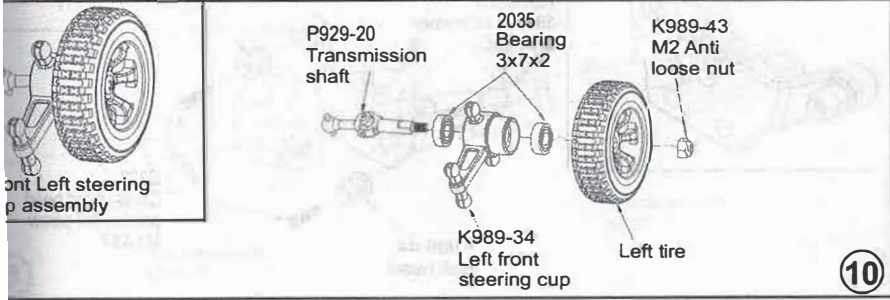
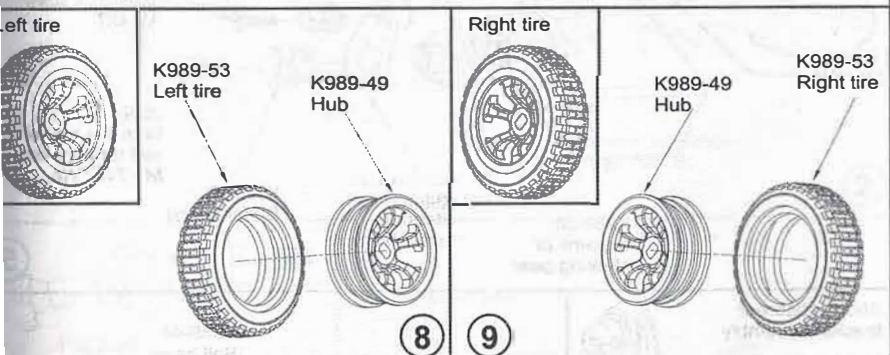
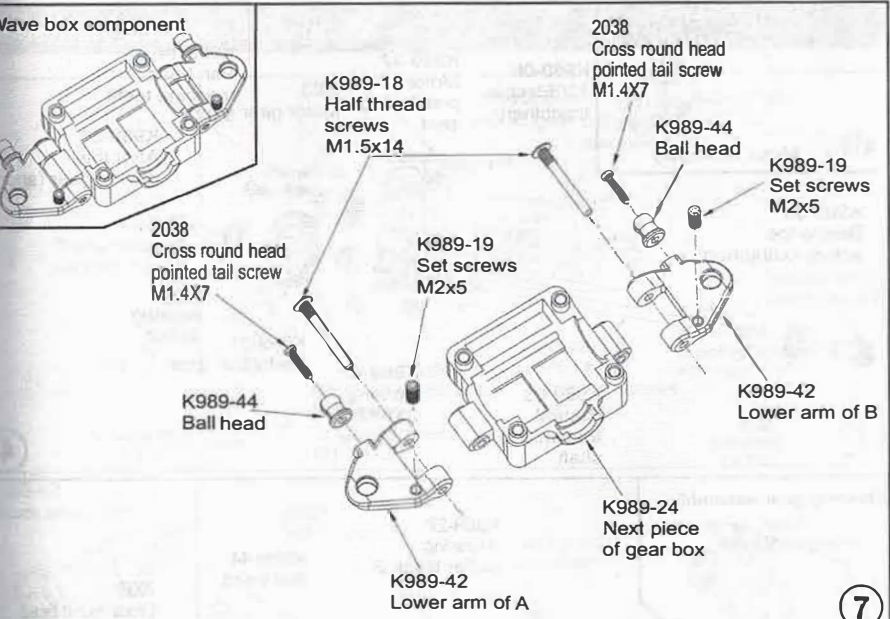
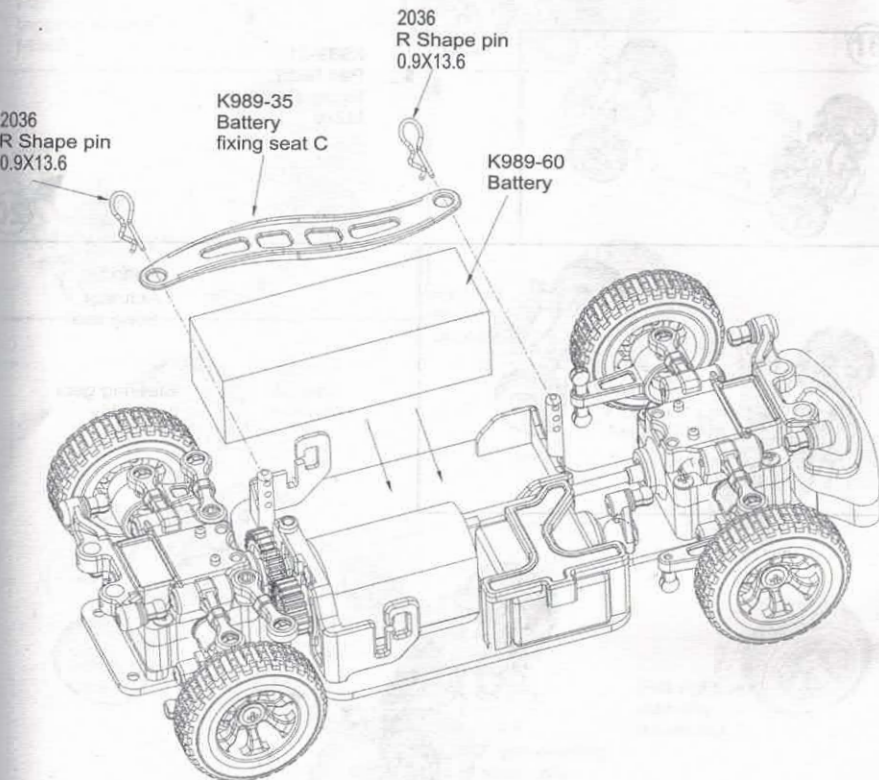
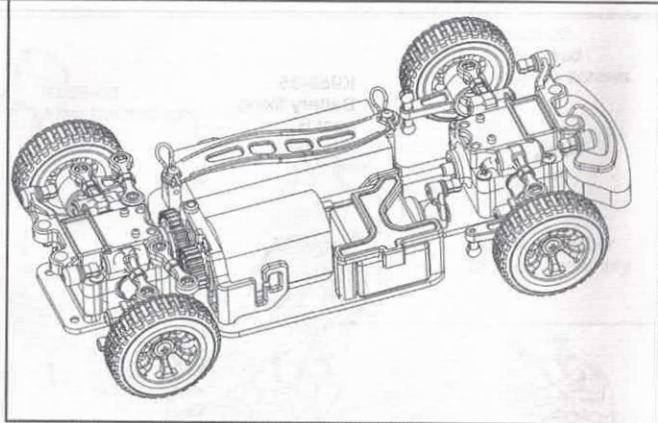


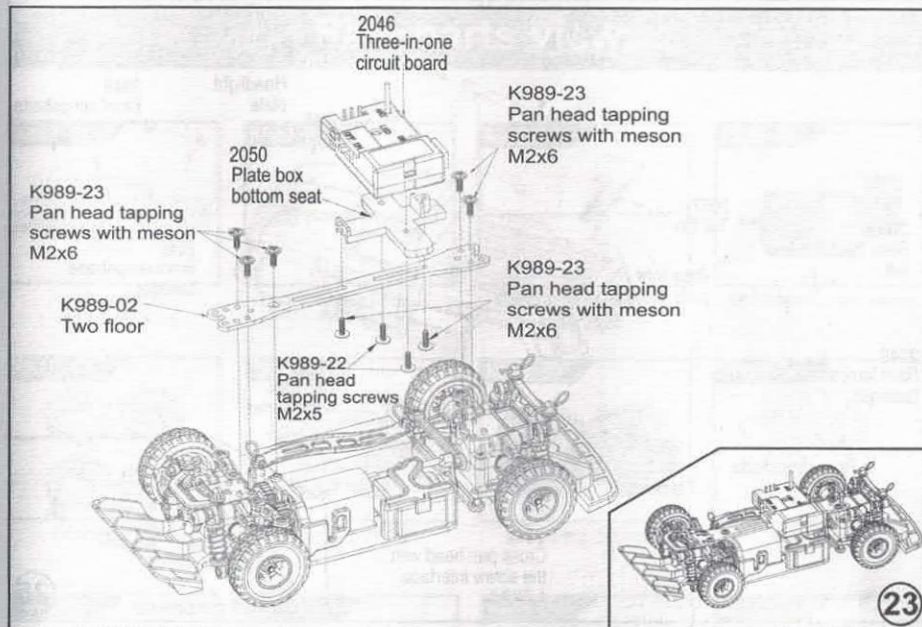
Assembly Exploded Diagram



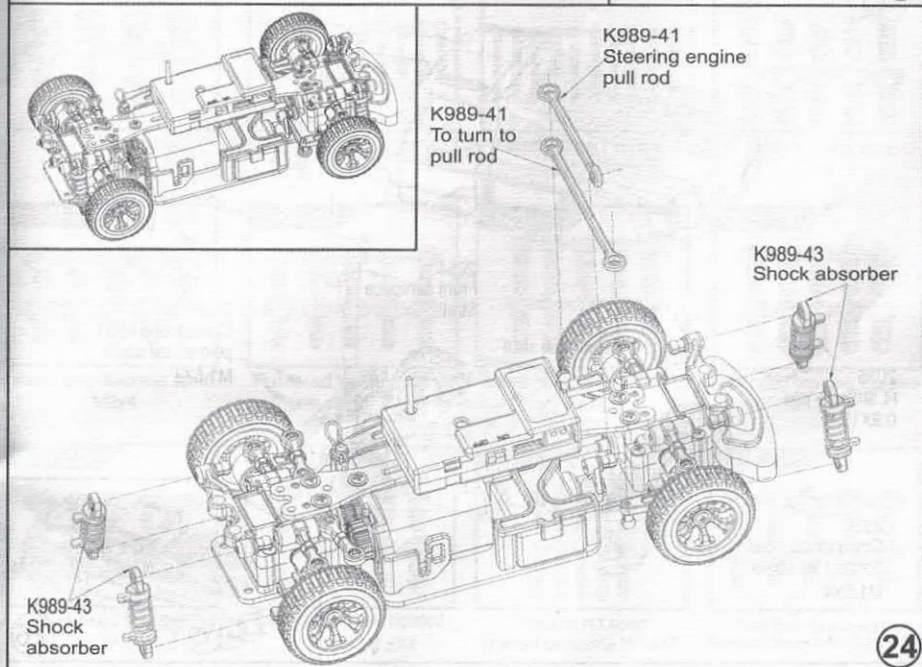




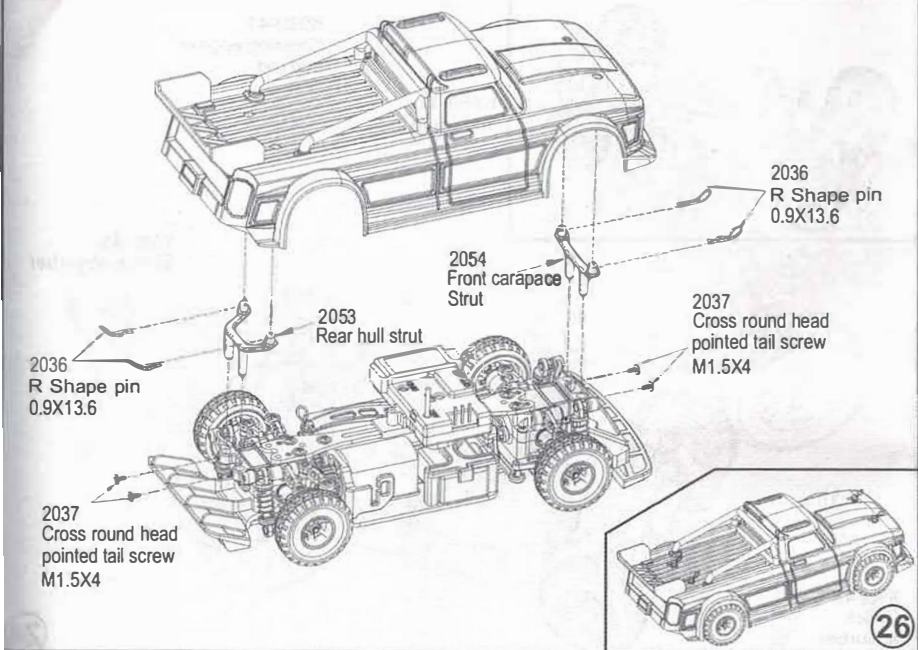
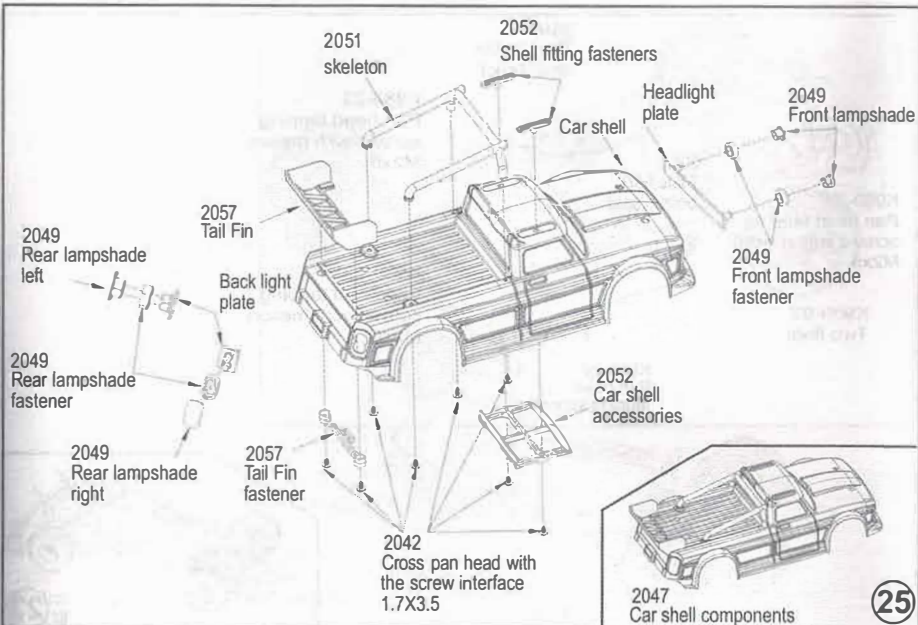
22



23



24



Sale parts view



K989-01
Underbody
127.5X55X1.5



K989-02
Two floor 99x13x1.5



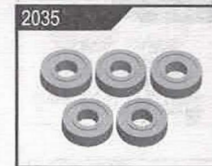
K989-03
Central transmission
shaft 2x78



K989-06
130 Electric machinery



K989-07
Bearing 6x10x3



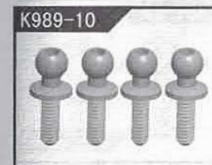
2035
Bearing 3x7x2



K989-09
Bearing 2x5x2.5



2036
R Shape pin



K989-10
Ball head screw
3.5x10.8



K989-17
Half thread screws M1.5x11



K989-18
Half thread screws
M1.5x14



K989-22
Pan head tapping screws
M2x5



K989-14
Pan head machine teeth
M2x4



K989-23
Pan head tapping screws
with meson M2x6



K989-21
Flat head self-drilling
screw M2x6



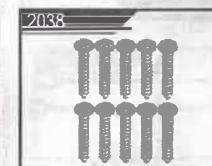
K989-12
Pan head tapping screws
M1.2x3



K989-13
Pan head tapping
screws M1.2x3.5



2037
Cross round head pointed
tail screw M1.5X4

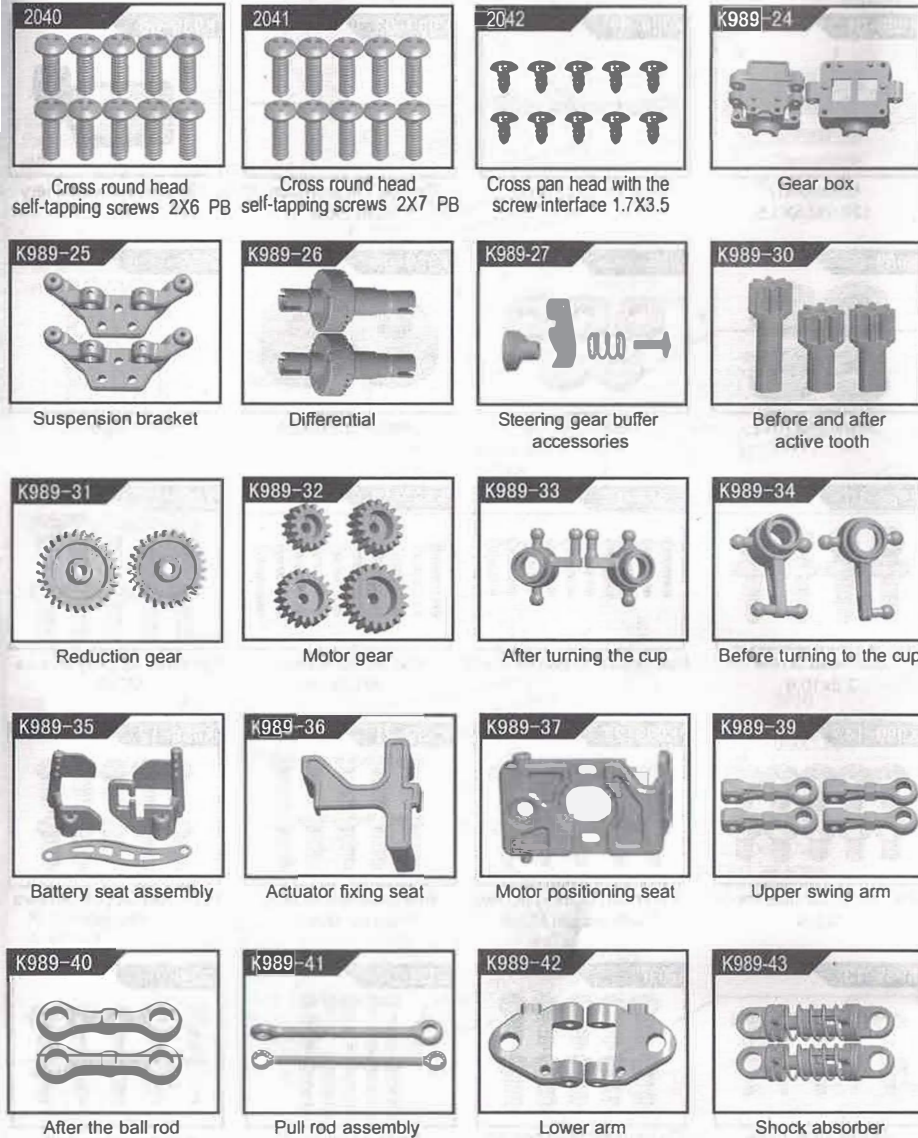


2038
Cross round head
pointed tail screw M1.4X7



2039
With the meson self
tapping screws M1.7x8 PWA

Sale parts view



Sale parts view

